



Sany Automobile Hoisting Machinery Co., Ltd.

No.168, Jinzhou Avenue, Jinzhou Development Zone, Changsha, Hunan, China
Postcode: 410600
Service: 0086-400 6098 318 Consulting: 400 8879 318
Email: crd@sany.com.cn

— Authorised Dealer —

Reminder:
For safe and reliable operation of the diesel engines, please fill Grade IV machines with Grade IV diesel and urea solution conforming to related national standards. Please refer to the operating instructions and related standards for details.

Any change in the technical parameters and configuration due to advancement in technology may occur without prior notice. The machine in the figures may include auxiliary equipment. This brochure is for reference only, and goods in kind shall prevail.
Copyright at Sany Heavy Industry. No part of this catalogue may be copied, recorded or used for any purpose without written approval from Sany Heavy Industry.

© Printed in January 2019 in China

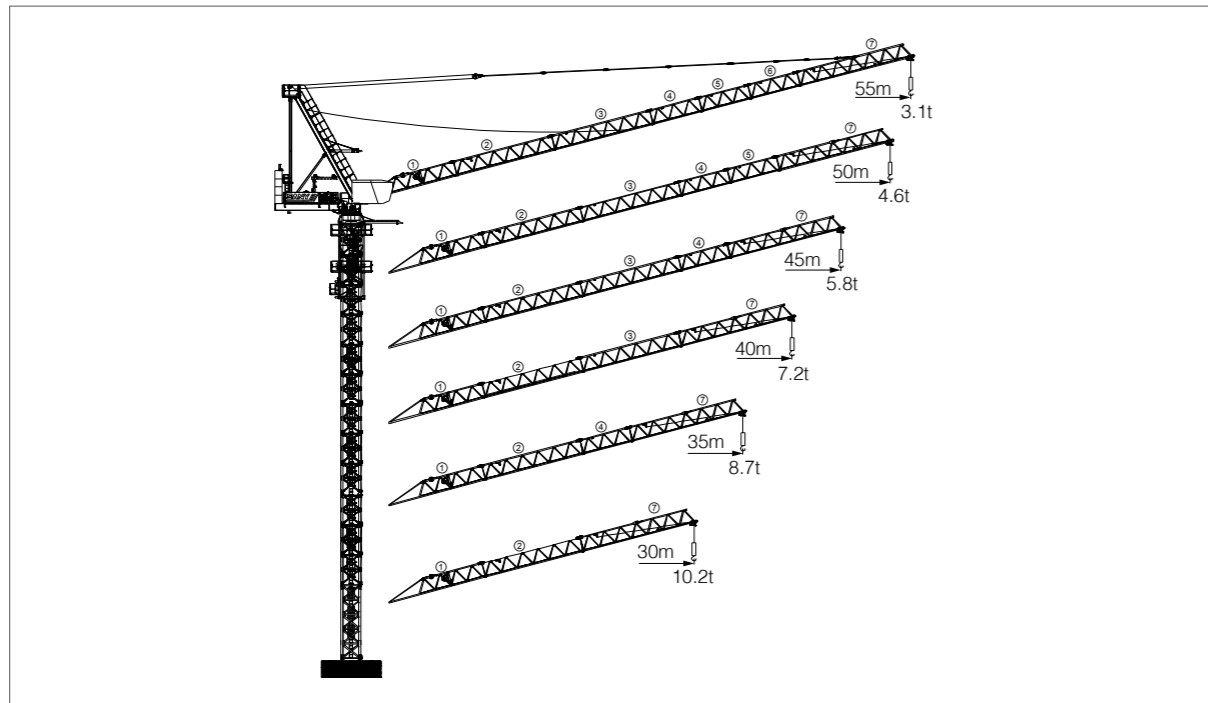
www.sanyglobal.com



SLT260

SANY TOWER CRANE

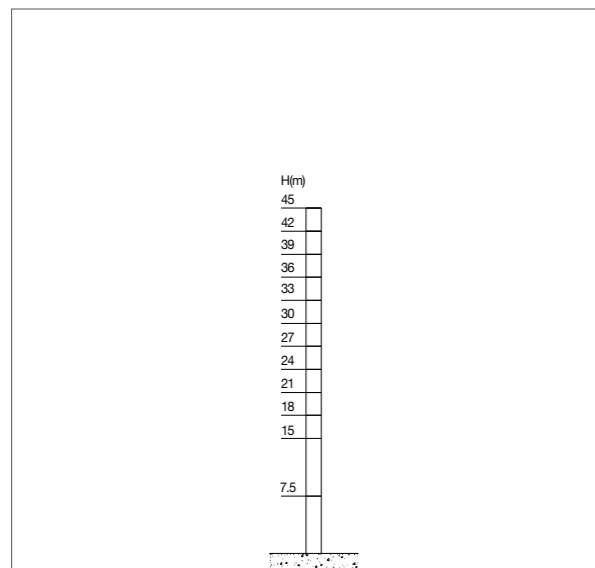
Jib Length & Tip Load



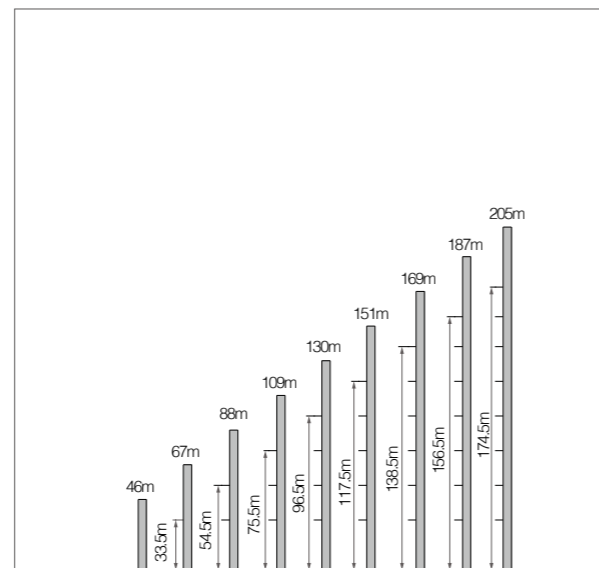
Counter-jib Ballast

Jib length (m)	Total weight of counterweight (kg)	5000kg counterweight (blocks)	4800kg counterweight (blocks)	2000kg counterweight (blocks)
55	26200	1	4	1
50	24200	1	4	0
45	24200	1	4	0
40	24200	1	4	0
35	21400	1	3	1
30	21400	1	3	1

Masts



Anchorage



Load diagrams

Range	Max. lifting capacity	15m	20m	25m	30m	35m	40m	45m	50m	55m
55m	5-27.9m/9t	9.00	9.00	9.00	8.12	6.54	5.36	4.44	3.70	3.10
	5-20.4m/13.5t	13.50	13.50	10.45	8.14	6.50	5.26	4.30	3.53	2.90
50m	4.6-31.9m/9t	9.00	9.00	9.00	9.00	7.92	6.54	5.46	4.60	
	4.6-22.6m/13.5t	13.50	13.50	11.91	9.34	7.50	6.13	5.05	4.20	
45m	4.6-17.9m/18t	18.00	15.76	11.91	9.34	7.50	6.13	5.05	4.20	
	4.2-32.8m/9t	9.00	9.00	9.00	9.00	8.28	6.88	5.80		
40m	4.2-23.2m/13.5t	13.50	13.50	12.30	9.71	7.86	6.48	5.40		
	4.2-18.2m/18t	18.00	16.19	12.30	9.71	7.86	6.48	5.40		
35m	3.7-33.7m/9t	9.00	9.00	9.00	9.00	8.60	7.20			
	3.7-23.7m/13.5t	13.50	13.50	12.64	10.04	8.19	6.80			
30m	3.7-18.5m/18t	18.00	16.54	12.64	10.04	8.19	6.80			
	3.3-34m/9t	9.00	9.00	9.00	9.00	8.70				
35m	3.3-23.8m/13.5t	13.50	13.50	12.70	10.13	8.30				
	3.3-18.6m/18t	18.00	16.55	12.70	10.13	8.30				
30m	2.8-30m/9t	9.00	9.00	9.00	9.00					
	2.8-23.9m/13.5t	13.50	13.50	12.77	10.20					
	2.8-18.7m/18t	18.00	16.63	12.77	10.20					

Mechanisms

	Model	Power	Velocity
Slewing	SHJ120A7.5TP SHJ120A7.5TPF	2x7.5KW	0 ~ 0.75r/min
Trolleying	SXJ11.75P	55KW	0 ~ 2.5min
Lifting	65QP40	75KW	0 ~ 90m /min
Power voltage	380V(±10%)	Power frequency	50Hz