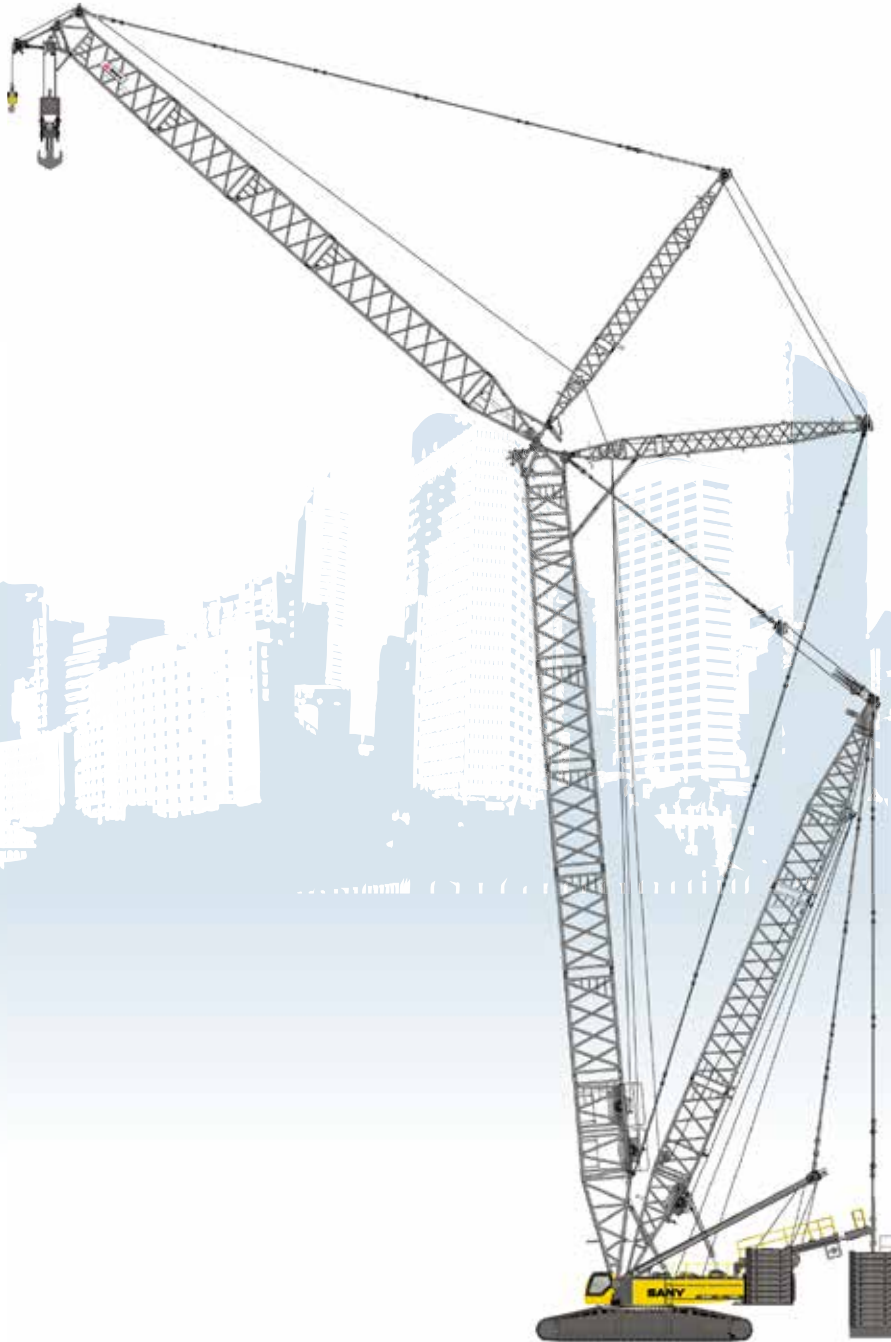




SANY

Quality Changes the World



SANY CRAWLER CRANE SCC 7500

CRAWLER CRANE

CONTENTS

P3

SCC7500 Crawler Crane

- Outline Dimensions
- Technical Features
- Performance Parameters
- Transportation Dimensions

P15

Specifications

- Superstructure
- Undercarriage
- Operation Devices
- Safety Devices

P23

Operating Conditions Combinations

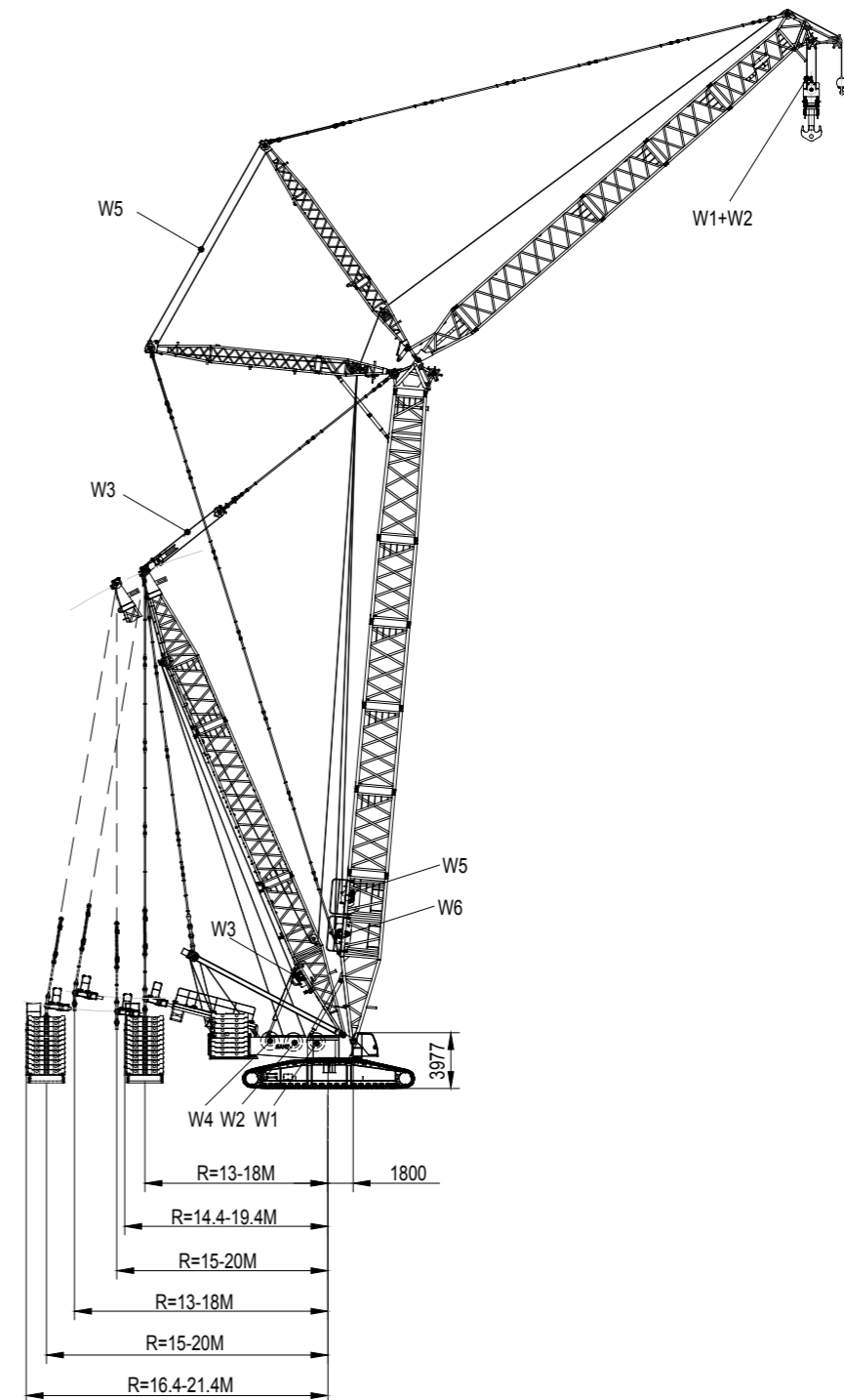
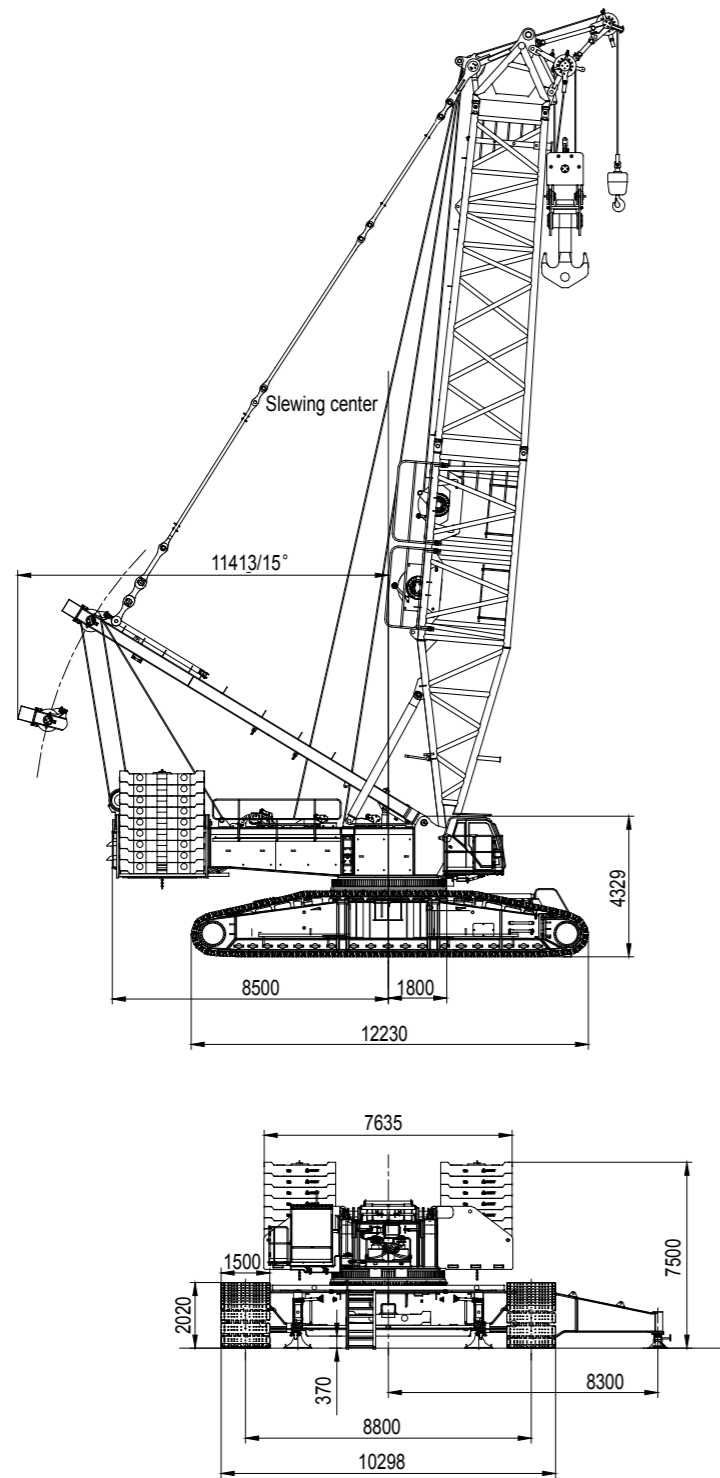
- Operating Condition Combination
 - H Operating Condition
 - HDB Operating Condition
 - HJDB Operating Condition
 - LJDB Operating Condition
 - F_hJDB Operating Condition

SCC7500

3	Dimensions
5	Technical Features
6	Performance Parameters
7	Transportation Dimensions



OUTLINE DIMENSIONS



TECHNICAL FEATURES

1. Highly Secured Control System:

There are two operation modes, working and assembly for your convenience. It features with real time level display, stop operation braking away from machine, emergency electrical control, lightning protection, automatic travel direction transfer devices and CCTV with a complete set of safety and monitoring devices.

2. Excellent Operating Performance:

Advanced load-sensing system, maximum load regulation and electronic-over-hydraulic controls ensure smooth micro-movement and stable operation.

3. Reliable Function Assurance:

The safety margin in structural design is sufficient and the control system is fully capable to function stably in extreme weather. Advanced hydraulic technology is also adopted to ensure system stability and reliability.

4. Convenient Maintenance Access:

GPS remote monitoring system is adopted for easy maintenance and management. It takes no more than 10min/person to adjust, no more than 30 min/person for daily maintenance and no more than 2h/person to repair the machine.

5. Powerful Lifting Capacity:

The maximum lifting capacity is 750t/9m, the maximum lifting torque is 9408t·m, the longest boom is 138m and the longest boom combination for luffing jib is 90m+102m, supporting as many as 6 operating conditions combinations.

6. Luffable Superlift Counterweight:

Easy adjustment of superlift radius significantly increases the operating range of the crane.

7. Splitting platform (optional):

Convenient and speedy assembly and disassembly of turntable and chassis significantly reduces the transportation weight of single piece and saves transportation costs.

8. 100% Load Travelling:

Four drives, powerful travelling traction and stable travelling bring crawler crane's advantage to the limit.

9. Intelligent Electrical Control Software:

All operations are controlled by computer with compact system. The friendly human-machine interface and self diagnosis function guarantee high reliability of the crane.

10. Fully Closed Hydraulic System:

Advanced hydraulic components are adopted for hydraulic system which is stable, efficient, energy-saving, and environmental friendly.

11. Central Lubrication System:

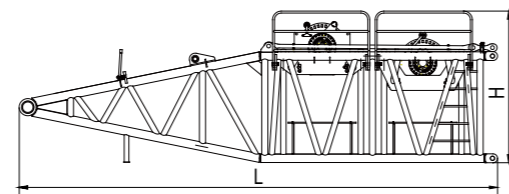
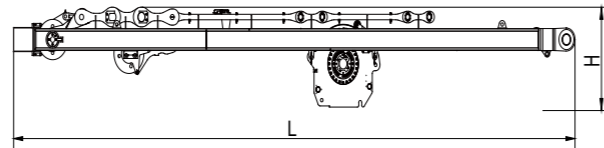
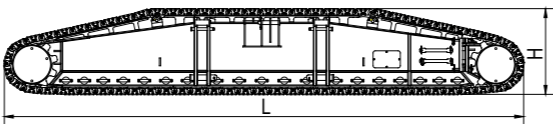
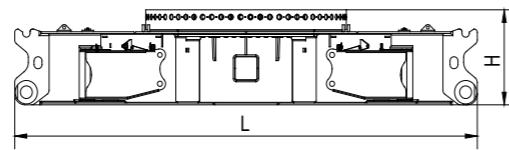
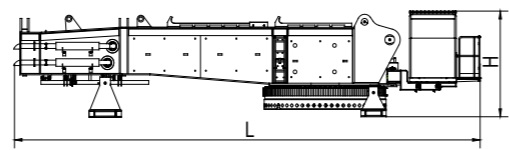
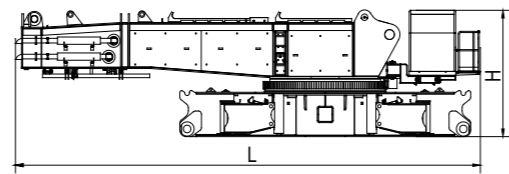
Automatic lubrication is provided by central lubrication system to key movement parts which substantially reduces maintenance time and workload.

PERFORMANCE PARAMETERS

Performance Parameters of SCC7500 Crawler Crane		
Max. Rated Lifting Capacity	t	750
Max. Rated Lifting Torque	t·m	336×28
Boom Length(heavy-lift/transitional)	m	24-84/30-102
Boom Length with Superlift(heavy-lift/HJ)	m	36-138/36-132
Length of Superlift Mast	m	36
Length of Luffing Jib	m	30-102
Length of Fixed Jib	m	12、18
The Longest Boom + the Longest Jib(without superlift)	m	54+102/60+54
The Longest Boom + the Longest Jib(with superlift)	m	90+102
Rope Speed of Main(Auxiliary) Winch	m/min	0-120
Rope Speed of Main Luffing Winch	m/min	(0-60)×2
Rope Speed of Auxiliary Luffing Winch	m/min	0~120
Rope Speed of Superlift Luffing Winch	m/min	0~120
Slewing Speed	rpm	0~1.21
Travelling Speed	km/h	0~1.0/ 0~0.4 km/h(Stepless speed regulator)
Max. Engine Power	kW	447(1800r/min)
Max. Engine Torque	Nm	2542(1400r/min)
Whole Machine Weight	t	610
Max. Transportation Weight of Single Piece. (using splitting platform)	t	56
Max. Transportation Weight of Single Piece	t	75

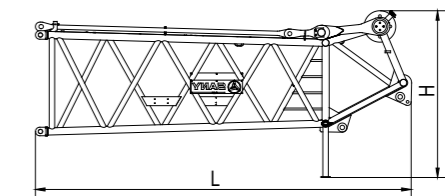
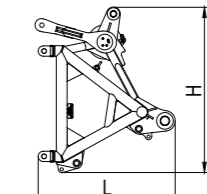
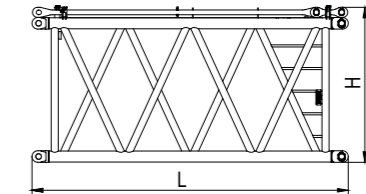
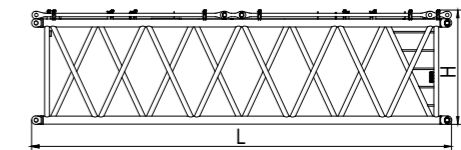
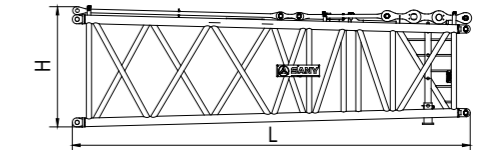
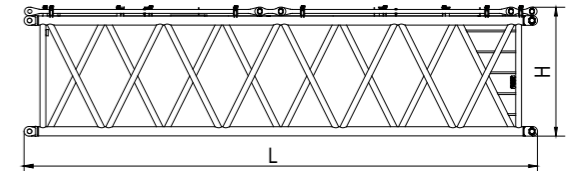
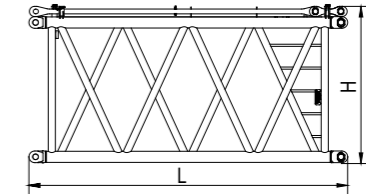
TRANSPORTATION DIMENSIONS

Basic Machine	×1
Length(L)	12.98m
Width(W)	3.46m
Height(H)	3.47m
Weight	75t
Platform Separating Device	×1
Note: Boom luffing mast and winch mechanism excluded	
Length(L)	12.8m
Width(W)	3.46m
Height(H)	2.8m
Weight	50.7t
Chassis and Platform Separating Device	×1
Length(L)	8.14m
Width(W)	3.53m
Height(H)	1.58m
Weight	33.6t
Crawler Assembly	×2
Length(L)	12.23m
Width(W)	1.84m
Height(H)	2.02m
Weight	56t
Boom Luffing Mast(include boom luffing winch etc)	×1
Length(L)	13.11m
Width(W)	2.28m
Height(H)	1.77m
Weight	27t
Boom Base (include winch etc)	×1
Length(L)	12.35m
Width(W)	13.16m
Height(H)	3.93m
Weight	33t



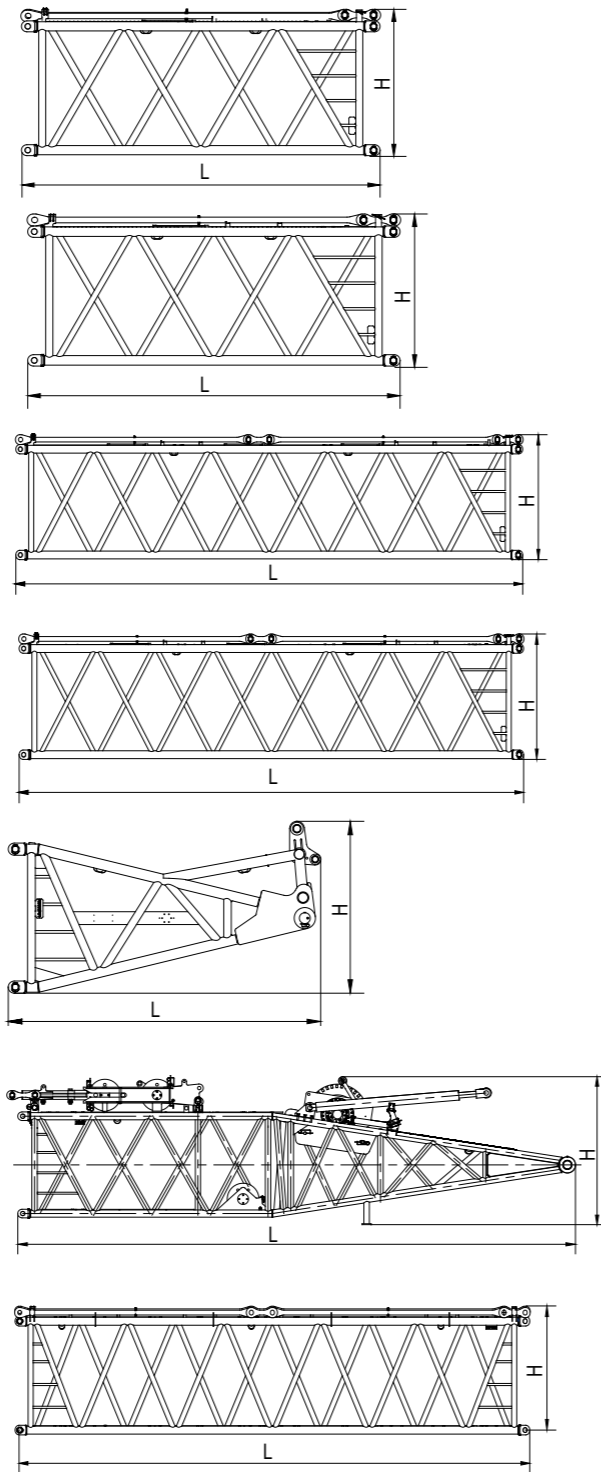
TRANSPORTATION DIMENSIONS

6m Boom Insert A	×2
Length(L)	6.26m
Width(W)	3.16m
Height(H)	3.09m
Weight	6.3t
12m Boom Insert A	×5
Length(L)	12.26m
Width(W)	3.16m
Height(H)	3.09m
Weight	11.6t
10.5m Boom	×1
Length(L)	10.75m
Width(W)	3.09m
Height(H)	3.09m
Weight	11t
12m Boom Insert B	×3
Length(L)	12.26m
Width(W)	3.16m
Height(H)	3.09m
Weight	10.4t
6m Boom Insert B	×1
Length(L)	6.26m
Width(W)	3.16m
Height(H)	3.09m
Weight	5.8t
750T Boom Head	×1
Length(L)	2.80m
Width(W)	2.77m
Height(H)	3.38m
Weight	6.2t
Jib Tip	×1
Length(L)	8.31m
Width(W)	2.65m
Height(H)	3.68m
Weight	6t



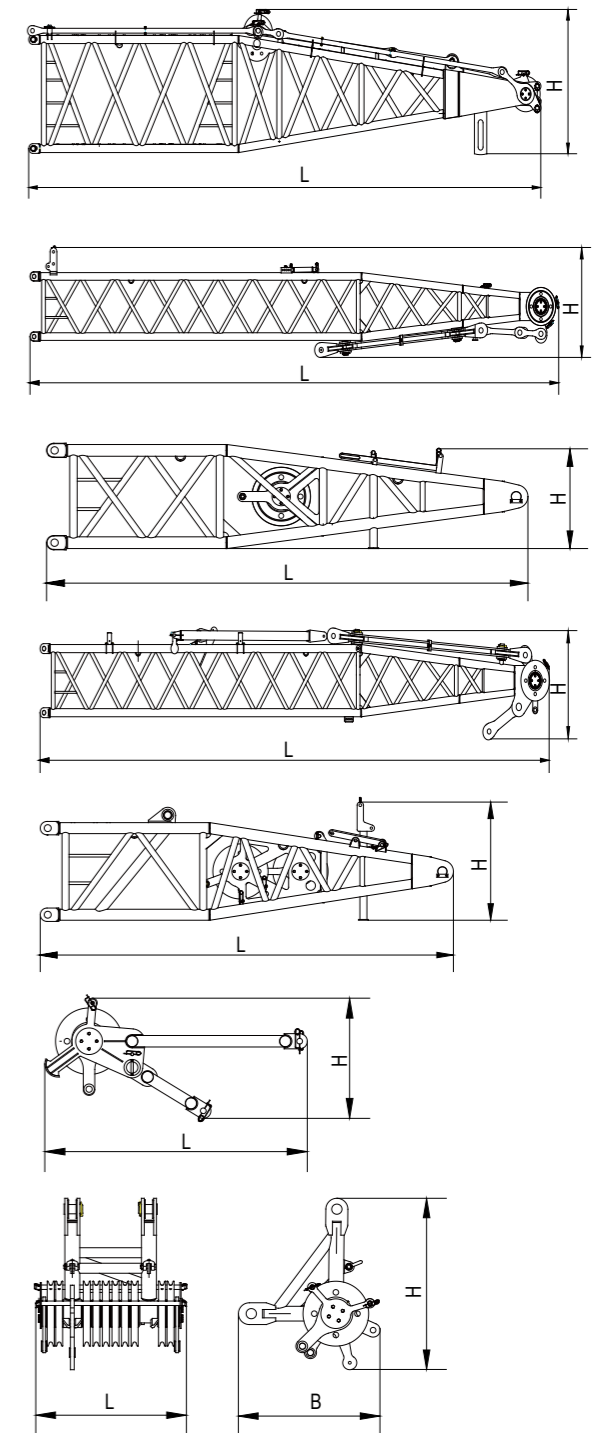
TRANSPORTATION DIMENSIONS

6m Jib Insert A	×3
Length(L)	6.22m
Width(W)	2.75m
Height(H)	2.55m
Weight	3.4t
6m Jib Insert B	×2
Length(L)	6.22m
Width(W)	2.75m
Height(H)	2.55m
Weight	3.1t
12m Jib Insert A	×3
Length(L)	12.22m
Width(W)	2.75m
Height(H)	2.55m
Weight	6.4t
12m Jib Insert B	×2
Length(L)	12.22m
Width(W)	2.75m
Height(H)	2.55m
Weight	5.7t
Jib Base	×1
Length(L)	4.78m
Width(W)	2.75m
Height(H)	2.68m
Weight	4.2t
Superlift Mast Base (Include superlift luffing winch, movable pulley and fixed pulley)	×1
Length(L)	12.29m
Width(W)	2.87m
Height(H)	3.26m
Weight	26t
12m Superlift Mast Insert	×1
Length(L)	12.22m
Width(W)	2.96m
Height(H)	2.54m
Weight	8.3t



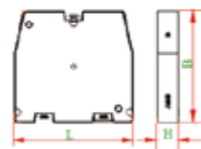
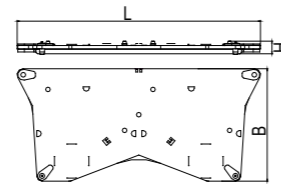
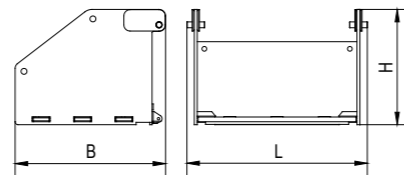
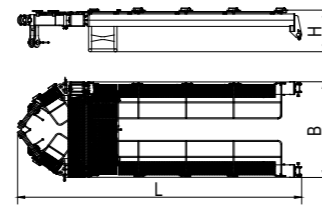
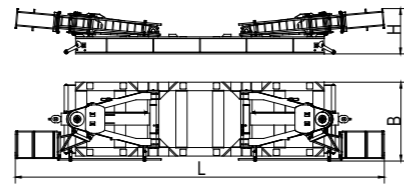
TRANSPORTATION DIMENSIONS

Superlift Mast Tip	×1
Length(L)	12.48m
Width(W)	2.99m
Height(H)	2.87m
Weight	12t
Front Mast Tip of Luffing Jib	×1
Length(L)	12.44m
Width(W)	2.00m
Height(H)	2.01m
Weight	5.6t
Front Mast Base of Luffing Jib	×1
Length(L)	5.73m
Width(W)	1.88m
Height(H)	1.27m
Weight	2t
Rear Mast Tip of Luffing Jib	×1
Length(L)	12.44m
Width(W)	3.16m
Height(H)	1.92m
Weight	6.5t
Rear Mast Base of Luffing Jib	×1
Length(L)	5.23m
Width(W)	1.89m
Height(H)	1.51m
Weight	2.7t
Boom Extension	×1
Length(L)	2.63m
Width(W)	1.02m
Height(H)	1.27m
Weight	0.7t
Boom Head Pulley	×2
Length(L)	1.58m
Width(W)	1.51m
Height(H)	1.59m
Weight	2t



TRANSPORTATION DIMENSIONS

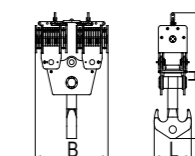
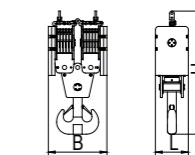
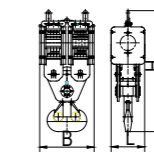
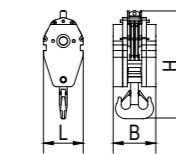
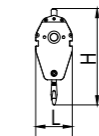
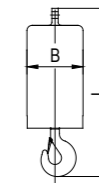
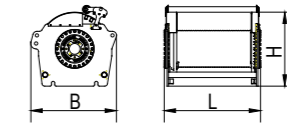
Superlift Counterweight Tray	×1
Length(L)	12.51m
Width(W)	3.06m
Height(H)	1.59m
Weight	21.8t
Luffing Mechanism of Superlift Counterweight	×1
Length(L)	8.36m
Width(W)	3.00m
Height(H)	1.30m
Weight	9.5t
Rear Counterweight Tray of Basic Machine	×2
Length(L)	3.05m
Width(W)	2.14m
Height(H)	1.95m
Weight	5t
Central Counterweight Tray	×2
Length(L)	6m
Width(W)	2.8m
Height(H)	0.42m
Weight	10t
Counterweight Block (Central counterweight, rear counterweight and superlift counterweight)	×68
Length(L)	2.49m
Width(W)	1.73m
Height(H)	0.55m
Weight	12.5t



Note: 68 is the number of counterweight blocks in complete configuration, the actual quantity shall be subjected to each operating condition

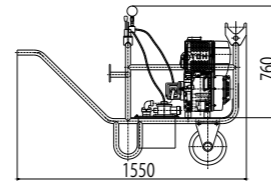
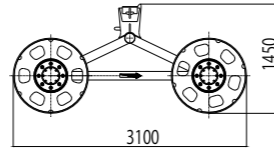
TRANSPORTATION DIMENSIONS

Main Hoisting Winch	×2
Length(L)	1.79m
Width(W)	1.59m
Height(H)	1.37m
Weight	10.7t
20t Ball Hook	×1
Length(L)	0.54m
Width(W)	0.54m
Height(H)	1.63m
Weight	1.6t
50t Hook	×1
Length(L)	0.84m
Width(W)	0.67m
Height(H)	2.19m
Weight	3.4t
100t Hook	×1
Length(L)	0.84m
Width(W)	0.9m
Height(H)	2.3m
Weight	5t
250t Hook	×1
Length(L)	0.9m
Width(W)	1.26m
Height(H)	2.82m
Weight	9.5t
400t Hook	×1
Length(L)	1m
Width(W)	1.78m
Height(H)	3.77m
Weight	11.5t
750t Hook	×1
Length(L)	1.45m
Width(W)	2.84m
Height(H)	4.63m
Weight	20.8t



TRANSPORTATION DIMENSIONS

Dolly	×1
Length(L)	3.1m
Width(W)	2.13m
Height(H)	1.45m
Weight	1.78t
Mobile Hydraulic Power Unit	×1
Length(L)	1.55m
Width(W)	0.69m
Height(H)	0.76m
Weight	0.2t



Note: 1. The transportation dimensions are not drawn to proportion. The dimensions in the sketch are design value excluding packages.
2. The weight is design value and there may be tiny difference due to the manufacturing calibration

SCC7500

15	Superstructure
17	Undercarriage
18	Operation Devices
19	Safety Devices



SPECIFICATIONS

1) Engine

- 6 cylinders and water cooled engine
- Rate Power/Speed: 447 kW/1800 rpm;
- Max. Output Torque: 2542 N•m;
- Max. Output Torque Speed: 1400 rpm.
- Diesel fuel tanks with a total volume of 850L.

2) Electrical Control System

Advanced RC controller, load moment indicator, display and circuit monitoring system are adopted. The CAN bus technology is applied for data communication between controller, display, joystick, load moment indicator and engine, effectively increasing system reliability.

3) Hydraulic System

- Hydraulic system includes lifting hydraulic system, travelling hydraulic system, slewing hydraulic system, luffing hydraulic system, back-stop hydraulic system, cooling system and auxiliary hydraulic system, servo hydraulic system etc.
- Characteristics: Main system adopts closed circuit which is efficient, energy saving and easy to control. It boasts fast response, long service life and small heat radiation with stable start-up, stop and steering. Electric proportion control components are adopted for intelligent and precision control. Hydraulic system is also designed with multiply pressure alarm and filter clogging alarm to increase its reliability. To prevent risks cause by the burst closed circuit, in addition to the automatic response of electronic control system, the pipeline is also equipped with, explosion proof valve to further enhance safety.

4) Main and Auxiliary Lifting Mechanisms

- Variable hydraulic motor can drive the plenary gearbox to control the hoisting and lowering of main and auxiliary winches. The stepless speed regulator is adopted so as the winch speed can be set freely within 0-120m/min. It is characterized by excellent micro-speed performance. Rapid lifting can be achieved through the fastest shift which significantly improves working efficiency. Two main hoisting devices are adopted for heavy lifting and can perform work simultaneously. The wire rope is from well-known manufacturer and the drum design ensures the multi-layer winding is always in order. The embedded reducer is space-saving, high efficiency with low noise and long service life.

NO.1 Main Lifting Mechanisms

Rope speed of the outermost working layer	0~120 m/min
Wire rope diameter	32mm
Rope length of main winch	1200m
Rate single line pull	22.5t

NO.2 Auxiliary Lifting Mechanisms

Rope speed of the outermost working layer	0~120 m/min
Wire rope diameter	32mm
Rope length of auxiliary winch	600m
Rate single line pull	22.5t

5) Luffing Mechanism

- Including: boom luffing mechanism, jib luffing mechanism, and superlift luffing mechanism.
- All luffing devices adopt fold line drum the reels with twisted ropes and are driven by the hydraulic motor via planet reducer, and they may achieve many compound actions and provide a good dead slow speed property.

6) Swing Mechanism

The swing system adopts double motors to drive the spur gear drive via the planetary reducer, capable of providing 360° rotation.

7) Counterweight System

- Central counterweight: 95t (6 counterweight blocks, 2 trays)
- Rear counterweight: 245t (18 counterweight blocks, 2 trays)
- Superlift counterweight: 400t (30 counterweight blocks, 1 tray)

8) Cab

- The cab is of an all-enclosed steel frame structure;reinforced glass is installed at the front and back;structural plates are installed on the top, providing for good light transmission, high strength and high abrasion resistance, and low indoor noise (below 85dB), and inside the cab are installed the control device, detection instruments, fire extinguisher and alarm device, and CCTV monitoring system. It is completely designed according to ergonomics.
- The cab can be adjusted according to the operating needs, capable of realizing 25° upward, and it can be rotated to the right front of platform, making transportation very convenient.

9) Control Operation

- Load moment indicator, closed-circuit monitor, monitor display and instruments are all in close range of operator's. Load moment indicator mainly monitors the moment and other parameters of crane. Monitor display mainly shows the operating status of crane as well as the control parameters and alarm of all monitoring points. There are three joysticks on the left and right armrest boxes. Joystick actions can be switched by pressing keys on the monitor display; the single action and allowed compound action can be shown in text and graphics.

10) Alarm Display

- When an error occurs, all alarm information including wind speed, water temperature, oil temperature, oil volume, oil pressure, working hours and engine speed will be shown on the display in the cab.

UNDERCARRIAGE

1) Travelling Drive

There are two gears of speed for traveling system. With powerful traction, the crane can travel straight with 100% load and steer with 70% load. Each travel device can be driven independently to move forward, backward or pivot flexibly.

2) Travelling Brake

The travelling brake is a normally closed brake embedded in the reducer (it is at brake state if the travelling joystick is not manipulated). It can be compensated automatically, with no need for any manual adjustment. When the traveling joystick is manipulated, the brake will be released and the crane will start traveling.

3) Track Shoe

The width of track is 1500mm. The tension of track shoe can be adjusted by adjusting the hydraulic cylinder embedded in the track traveling device or the number of shims between track frames to achieve the desired tension.

4) Chassis

It is of welded high strength steel frame structure, connected with track frame by power pins of hydraulic cylinder. It is easy to assemble and disassemble.

5) Travelling Speed

The variable displacement motor can achieve two gears of speed, with the infinitely variable speed for each gear to ensure the smooth operation of the crane. High speed: 0 ~ 1.0km / h; low speed: 0 ~ 0.4 km / h.

OPERATION DEVICES

1) Boom

- Lattice structure welded by steel pipe. The top and base of the boom are reinforced by steel plates to facilitate load transmission.
- Composition: 12m boom base, 6m insert A, 12m insert B, 6m insert B, 12m insert B, 10.5m boom base, 1.5m boom head.

2) Boom Luffing Mast

Door-shaped support structure with high strength and rigidity welded by high strength steel pipe and reinforced by cross beam in the middle.

3) Luffing Jib

- Lattice structure welded by steel pipe.
- Jib Length: 30m~102m. It can be installed to 36m~90m boom.
- Composition: 4.5 m jib base, 6m insert A, 12m insert A, 6m insert B, 12m insert B, 7.5 m jib tip.
- The jib luffing is achieved by the front and rear mast of luffing jib. The mast is of lattice structure with variable cross section at two ends and uniform cross section at the middle.

4) Hook

- The following hooks are available:
- 20t ball hook
- 50t hook
- 100 hook
- 250 hook
- 400 hook
- 750 hook

Hook Type	Max. Lifting Capacity(t)	Pulley	Lines	Single Piece Weight(t)
20t ball hook	20	0	1	1.6
50t hook	50	1	3	3.4
100t hook	100	3	5	5
250t hook	250	5	2×6	9.5
400t hook	400	11	2×10	11.5
750t hook	750	22	2×20	20.8

5) Superlift Mast

- Mast arm frame is of lattice structure with uniform cross section at middle and variable cross section at two ends. It is welded by steel pipe and reinforced with steel plates at the top and base of boom frame. The length of superlift mast is 36m
- Composition: 12m superlift base, 12m insert, 12m superlift tip.

6) Superlift Counterweight

There are height regulation cylinder and mast radius regulation cylinder to adjust the height and radius of superlift. Two gears of superlift radius are available within 13m-18m and 15m-20m. The biggest radius is 20m and the biggest superlift capacity is 400t.

SAFETY DEVICES

1) Load Moment Indicator

- Sany made load moment indicator is adopted. It forms a safe and reliable network with other controllers via CAN bus. The load moment indicator can automatically detect the boom angle and the weight hoisted, and displays the rated loading capacity, actual load, operating radius and the height of lifting hook, etc. It also shows the tension of the pendant rod as well as the usage of superlift counterweight under operating condition with superlift.
- The load moment indicator is composed of a 10.4' inch screen color display, basic machine, angle sensor and tension sensor.

2) Emergency Operation System

The emergency operation box has an independent circuit. It is connected with solenoid valve through connectors and can perform main operations including hoisting, luffing and slewing.

3) Operation Release Function

The crane is operable only when operator is seated with operation release joystick in position. All action switch and joysticks will be locked if the operator leaves seat or pull down the operation release joystick, which effectively prevent misuse and operational accident due to body impact when getting on or off the cab.

4) Emergency Stop Button

In case of emergency, the operator can shut down the entire machine by pressing down the emergency stop button.

5) Self-diagnosis System

When a fault occurs, operator can find the corresponding fault code through self-diagnosis system and eliminate the fault in time.

6) Engine Power Limit Load Regulation and Stall Protection

It monitors the engine power and effectively prevents the stalling of the engine.

7) Engine Monitoring Instruments

It shows the water temperature, fuel volume, accumulated working hours, oil pressure, engine speed, battery charging status and voltage.

8) CCTV Monitoring System

Operator can monitor the winding of winches, superlift counterweight status and nearby situations in the cab.

9) Remote Monitoring System (Optional)

It can monitor machine anywhere covered by wireless communication network. Through the real time monitoring of the running data, remote trouble diagnosis and troubleshooting can be made in time. It also facilitates remote control of the machine and can send out repair and maintenance information.

10) Black Box

It records the operations and running data of the machine to facilitate the analysis of the cause of accidents.

11) Assembly/Operation Mode Change-over Switch

There are assembly mode and operation mode. Through coordination between different functions in two modes, the machine safety and convenient assembly and disassembly are guaranteed with higher working efficiency.

12) Main and Auxiliary Hoisting Limiter

When the lifting hook is raised to a certain height, the limit switch will be activated. The buzzer on the control panel will alarm and the lifting operation of hook block will be automatically cut off. In the meantime, the machine will only be able to perform lowering operation so as to prevent hook from over hoisting.

13) Lowering Limiter of Main and Auxiliary Winch

When the wire rope is released near the last three loops, the wire rope detecting system will send out signal and the electrical control system will automatically stop the lowering of the hooks. In the meantime, the buzzer in the cab will alarm with alarm information displayed on monitor.

14) Boom Angle Limiter

When boom angle reaches certain angle, the proximity switch will be activated and the buzzer will send an alarm. In the meantime, the boom operation will be cut off with the action of luffing drum limited to protect the safety of the machine.

15) Boom Back-stop Device

- The boom and superlift mast are both equipped with a pair of back-stop cylinder to prevent vibration and back tilting of the boom during operation.
- The rear mast of luffing jib and luffing jib are also designed with back-stop devices to prevent the back titling of the boom for the protection of the machine.

16) Winch Braking

Normally closed spring loading brake is adopted for each winch which is safe, reliable, maintenance free with powerful braking force and long service life.

17) Hook Latch

There are baffle on the hook to prevent the wire rope fall off.

18) Travelling and Slewing Alarm

While travelling and slewing, audio and visual alarm will be issued to warn relevant personnel to evacuate from the working area.

19) Lightning Protection Device

The lightning protection device combines a base (ground) device and surge protection device to effectively prevent damage to electrical system in case of a lightning strike.

20) Level Gauge

The display shows real time tilting angle to protect the safe operation of the machine.

20) Pharos

It is on the top of the boom to prevent collision with the flying objects.

21) Anemometer

It is on the top of boom to monitor the wind speed in real time and to transfer data to the display in cab.

22) Additional Device

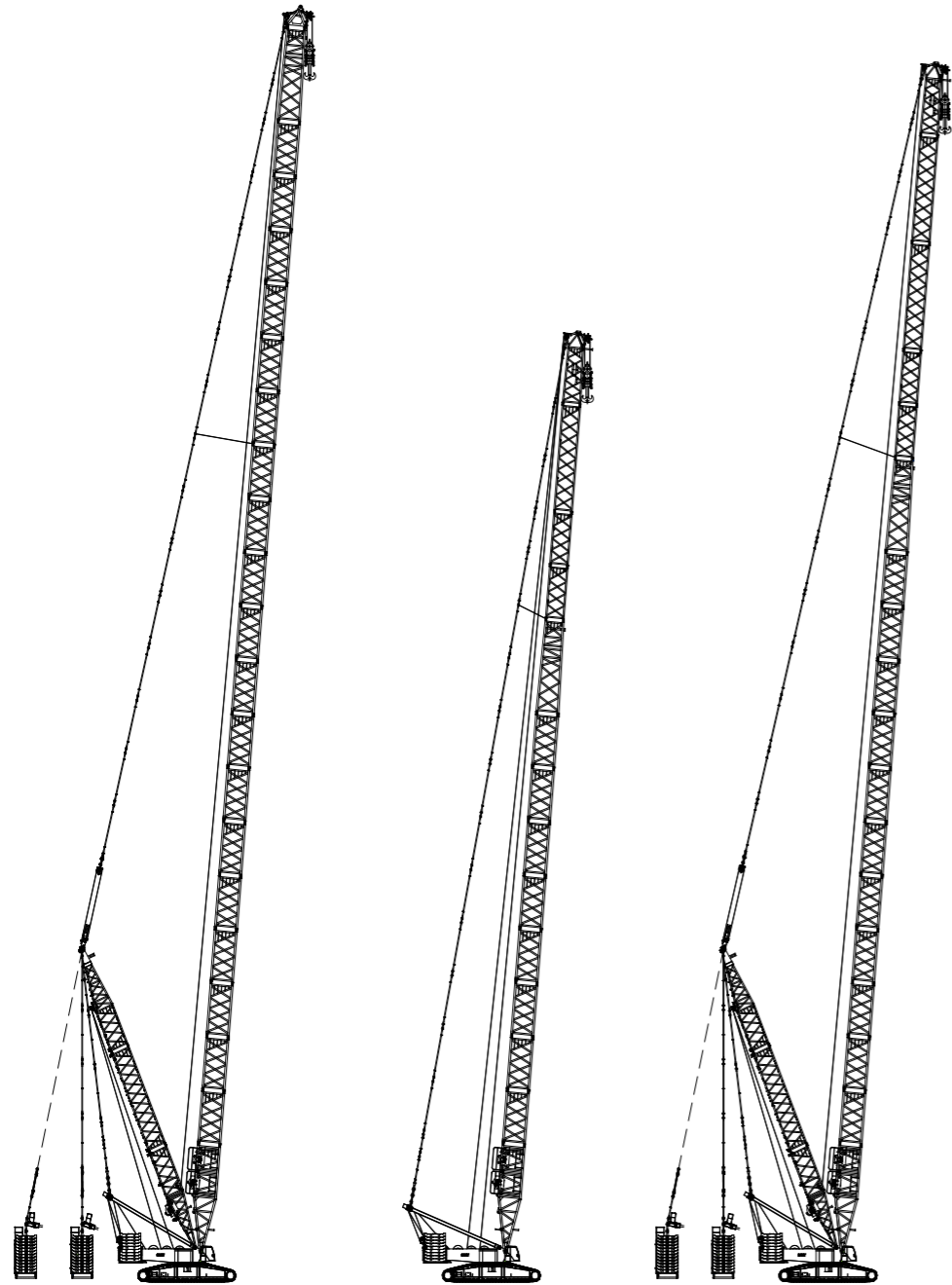
Designed with additional mechanic support to facilitate the self-eraction of the boom without superlift counterweight.

SCC7500

23	Operating Condition Combination
25	H Operating Condition
28	HDB Operating Condition
31	HJDB Operating Condition
34	LJDB Operating Condition
46	FhJDB Operating Condition



OPERATING CONDITION COMBINATION



HDB Operating Condition
Boom: 36m-138m
Superlift mast 36m

HJ Operating Condition Combined
Boom: 30m-102m

HJDB Operating Condition
Combined Boom: 36m-132m
superlift mast 36m

OPERATING CONDITION COMBINATION



LJ Operating Condition
Boom: 36m-60m
Luffing Jib: 30m-102m

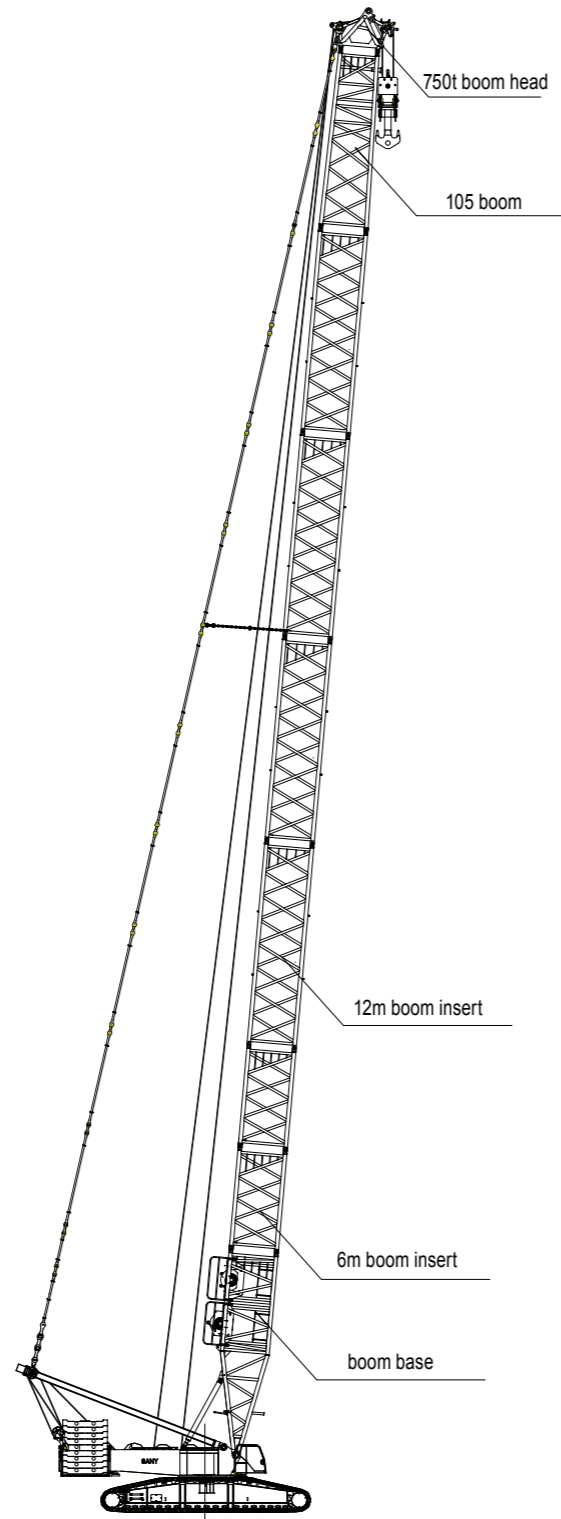
LJDB Operating Condition
Boom: 36m-90m
Luffing Jib: 30m-102m
Superlift Mast 36m

FhJDB Operating Condition
Boom: 36m-90m
Fixed Short Jib: 12m/18m
Superlift Mast 36m

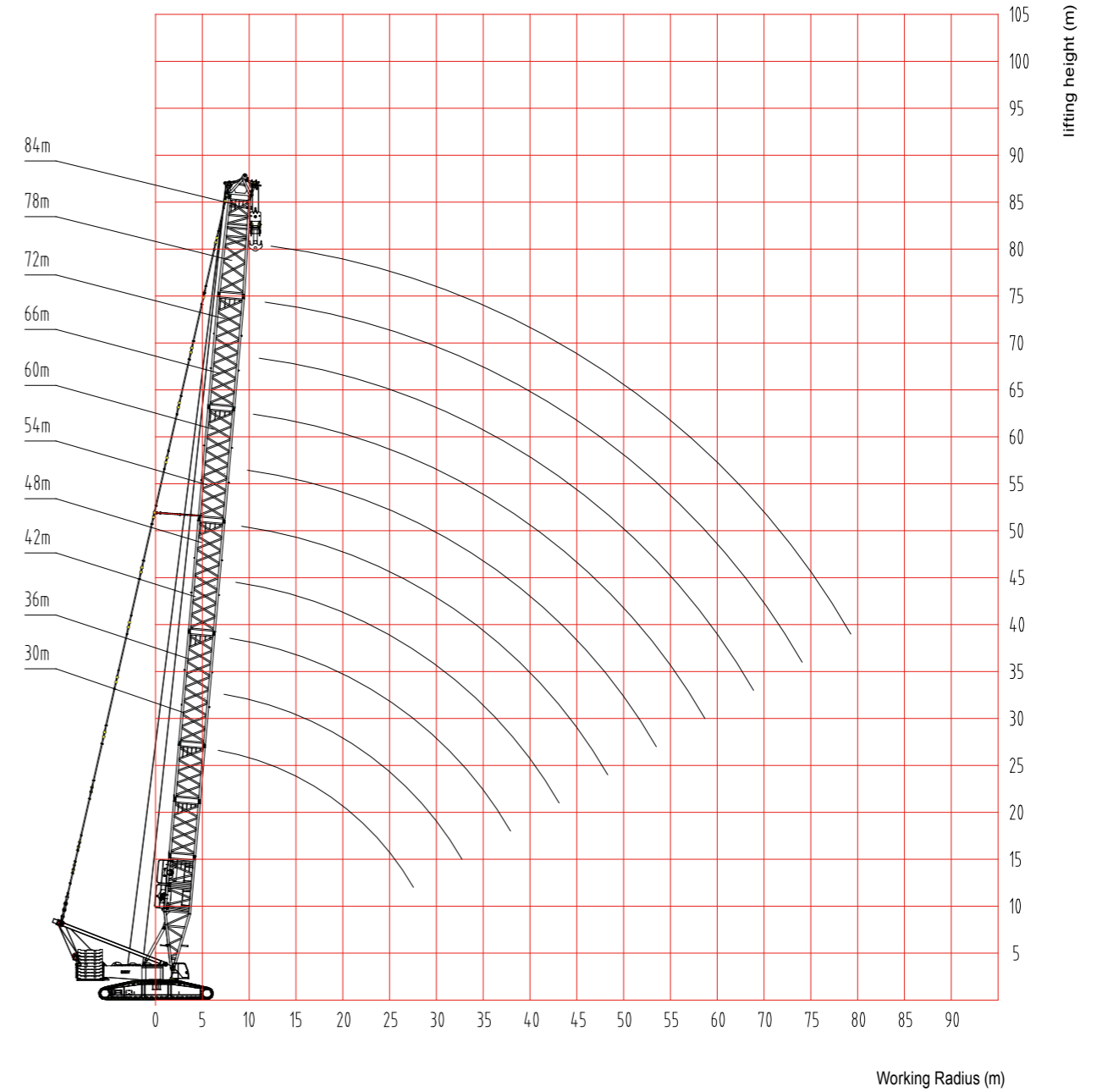
H OPERATING CONDITION

H Operating Condition Combination

Boom Length (m)	Boom Insert			
	6 mA	12mA	6mB	12mB
24	—	—	—	—
30	1	—	—	—
36	2	—	—	—
42	1	1	—	—
48	2	1	—	—
54	1	2	—	—
60	2	2	—	—
66	1	3	—	—
72	2	3	—	—
78	1	4	—	—
84	2	4	—	—



OPERATING RANGE DIAGRAM OF H OPERATING CONDITION



H OPERATING CONDITION LOAD CHART

H Operating Condition Load Chart of SCC7500 Crawler Crane

Unit: (t)

Central Counterweight:95t Rear Counterweight:245t

Working Radius (m)	Boom Length											Working Radius (m)
	24	30	36	42	48	54	60	66	72	78	84	
6												6
6.5	650											6.5
7	575	573										7
8	530	505	505	503	496							8
9	460	453	450	448	434	412						9
10	410	408	405	403	385	367	348	330				10
11	373	371	368	366	346	330	314	299	285	272	261	11
12	342	340	337	334	313	299	285	273	260	249	239	12
14	289	287	285	278	261	251	240	230	220	212	204	14
16	248	246	244	237	223	215	206	198	190	183	176	16
18	212	211	210	205	194	187	179	173	166	160	154	18
20	181	180	179	178	171	165	158	152	146	141	136	20
22	158	157	156	155	152	146	141	135	130	125	121	22
24		140	138	136	134	130	126	121	117	112	108	24
26		125	123	121	119	117	113	109	105	101	97	26
28		112	111	109	107	106	103	99	95	91	88	28
30			100	98	96	95	93	90	86	82	79	30
32			91	89	87	86	84	82	78	75	72	32
34				82	79	78	76	74	71	68	65	34
36				75	73	72	70	68	65	63	60	36
38				69	67	66	64	62	60	57	54	38
40					62	60	58	57	55	53	50	40
44						52	50	48	46	45	42	44
48						45	43	41	39	38	35	48
52							37	35	33	32	29	52
56								30	27	26	24	56
60									23	21	19	60
64									19	18	16	64
68										14	12	68
72											9	72
76												76
Lines	34	30	26	26	24	20	16	16	14	14	12	Lines

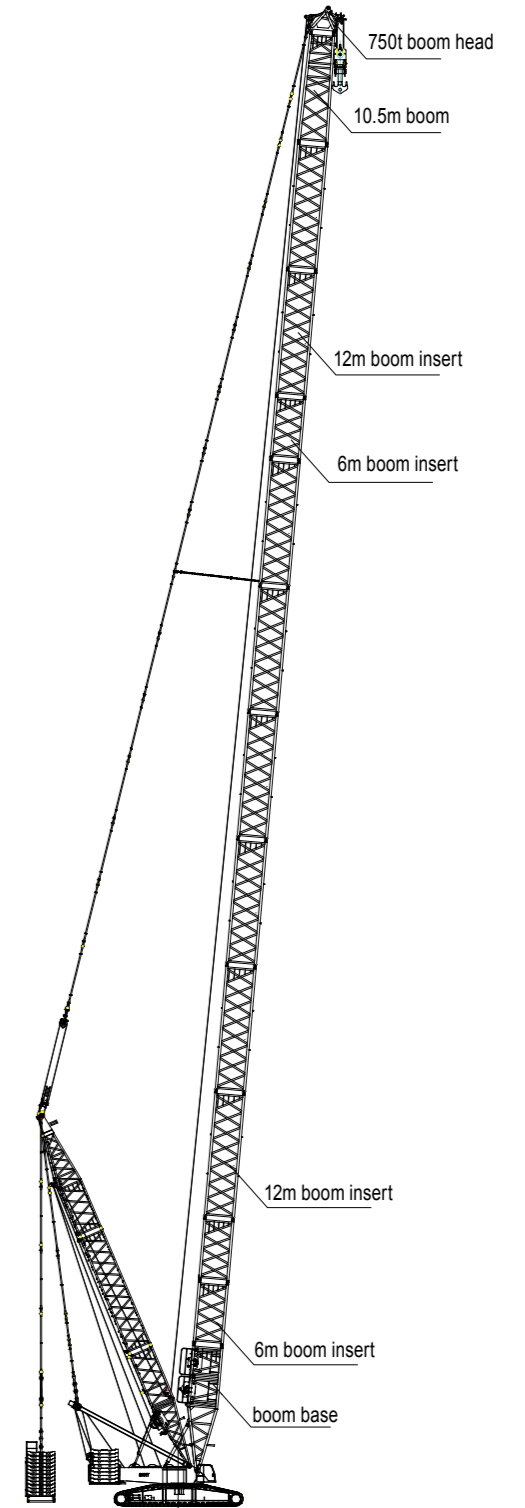
Notes: Rated Load of the Crane

- 1) The actual lifting capacity is the rated load minus the weight of all hoisting tools.
- 2) The rated load in the table is the value under the condition that the heavy load is lifted slowly and steadily from the solid and flat ground.

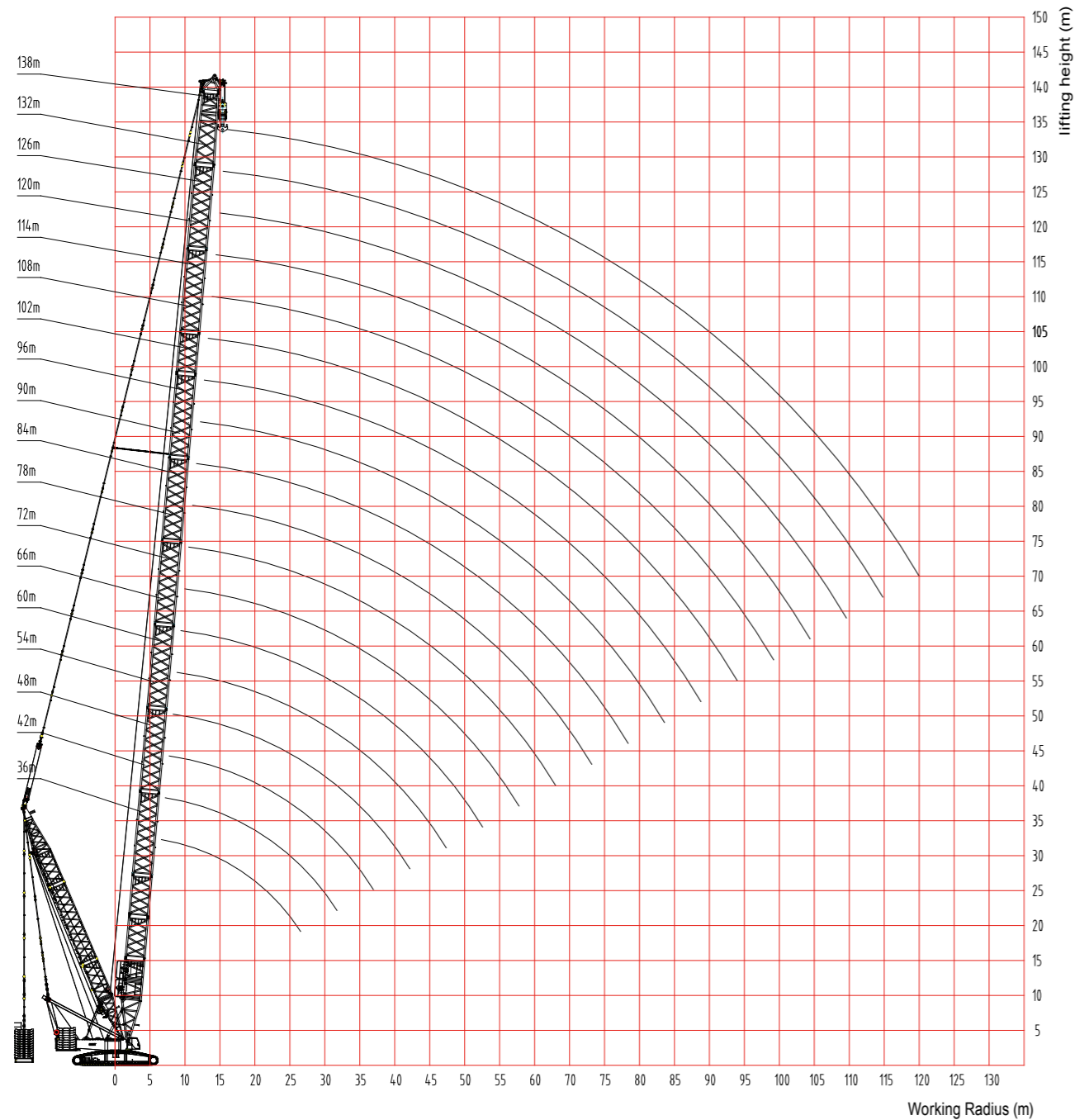
HDB OPERATING CONDITION

HDB Operating Condition Combination

Boom Length (m)	Boom Insert			
	6 mA	12mA	6mB	12mB
36	—	1	—	—
42	1	1	—	—
48	2	1	—	—
54	1	2	—	—
60	2	2	—	—
66	1	3	—	—
72	2	3	—	—
78	1	4	—	—
84	2	4	—	—
90	1	5	—	—
96	2	5	—	—
102	2	5	1	—
108	2	5	—	1
114	2	5	1	1
120	2	5	—	2
126	2	5	1	2
132	2	5	—	3
138	2	5	1	3



OPERATING RANGE DIAGRAM OF HDB OPERATING CONDITION



HDB OPERATING CONDITION LOAD CHART

HDB Operating Condition Load Chart of SCC7500 Crawler Crane

Unit: (t)

Central Counterweight:95t Rear Counterweight:220t Superlift Radius:20m Superlift Counterweight:400t

Working Radius (m)	Boom Length																		Working Radius (m)				
	36	42	48	54	60	66	72	78	84	90	96	102	108	114	120	126	132	138					
7	750																		7				
8	750	750	750	732															8				
9	750	750	740	716	702														9				
10	749	746	737	711	670														10				
11	726	717	709	694	646	548	470	396	346										11				
12	698	690	683	671	621	547	470	395	346	305	269								12				
14	650	642	636	626	601	546	470	394	345	304	268	236	209	185					14				
16	587	585	584	583	560	530	474	393	344	304	268	235	208	185	164	144	127	110	16				
18	520	518	516	514	512	491	462	381	343	303	267	235	207	184	163	143	126	110	18				
20	468	466	464	463	462	445	426	361	341	302	266	233	206	184	163	143	126	107	20				
22	420	419	415	417	418	403	387	340	327	298	265	232	205	184	162	143	126	107	22				
24	386	380	392	390	381	368	354	321	310	288	261	230	204	183	162	142	125	106	24				
26	358	350	359	357	350	339	327	303	294	277	255	228	203	183	161	142	125	106	26				
28	336	316	326	327	322	313	303	287	279	266	246	223	202	183	161	142	125	105	28				
30	299	286	299	301	298	291	282	272	262	251	237	218	200	183	161	141	125	105	30				
32	278	259	274	277	276	271	264	256	246	236	226	211	196	181	160	141	124	104	32				
34		235	251	257	257	253	247	240	231	222	214	203	193	180	158	140	122	104	34				
36			213	230	238	239	237	233	226	217	209	202	194	187	177	155	139	120	102	36			
38				212	221	224	222	219	212	205	197	191	183	178	171	153	138	119	101	38			
40					194	205	209	206	200	195	186	181	174	169	163	152	137	118	100	40			
44						175	183	185	185	180	176	169	163	157	153	150	144	133	115	98	44		
48							155	160	164	166	163	160	154	149	143	139	137	132	128	112	96	48	
52								139	145	148	146	144	141	136	131	127	124	121	117	107	94	52	
56									128	133	131	130	127	124	120	117	114	111	107	103	91	56	
60										117	118	117	115	114	110	107	105	102	99	96	87	60	
64											104	106	106	104	103	101	99	97	94	91	88	84	64
68												94	96	95	94	92	91	89	87	84	81	78	68
72													86	86	86	84	83	81	80	78	75	72	72
76														78	78	77	76	74	73	71	69	66	76
80															70	71	70	70	68	64	65	63	80
84																64	64	64	62	60	60	58	84
88																	58	58	56	55	55	53	88
92																		52	51	50	50	49	92
96																			46	46	45	42	96
100																				41	41	38	100
104																					36	34	104
108																						33	108
112																						27	112
116																							116
120																							120
124																							124
Lines	40	40	40	40	38	28	24	20	16	14	14	12	10	10	8	7	6	5	Lines				

Notes: Rated Load of the Crane

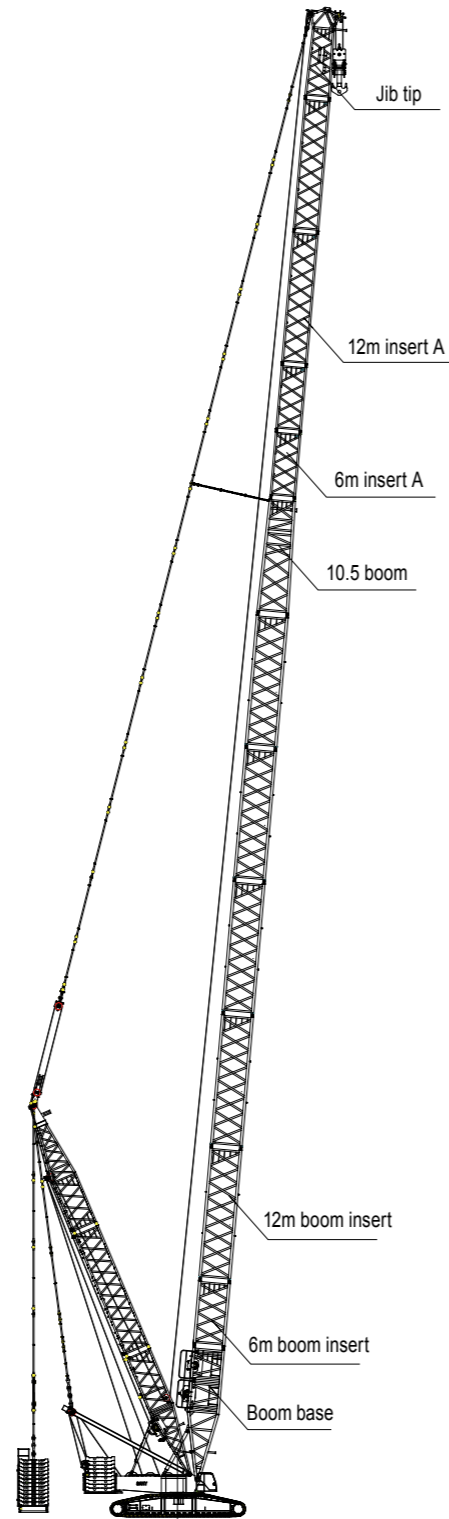
- 1) The actual lifting capacity is the rated load in the table minus the weight of all hoisting tools.
- 2) The rated load in the table is the value under the condition that the non-traveling heavy load is lifted slowly and steadily from the solid and flat ground.

HJDB OPERATING CONDITION TRANSITIONAL BOOM WITH SUPERLIFT

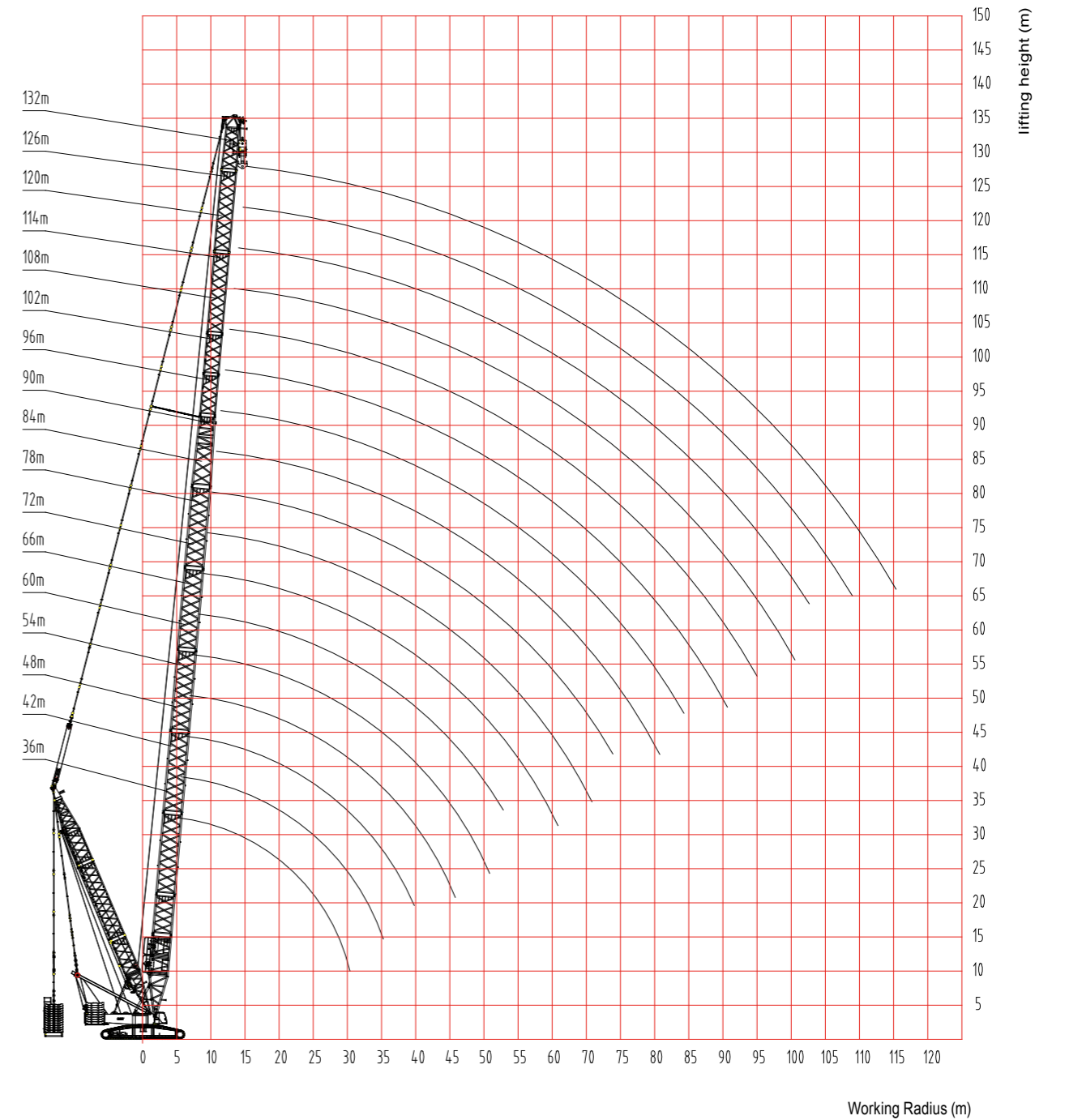
HJDB Operating Condition Combination

Boom Length (m)	Boom Insert		Jib Insert	
	6 m(16)	12m (16)	6m (14.2)	12m(14.2)
36	1	-	-	-
42	1	-	1	-
48	2	-	1	-
54	1	1	1	-
60	2	1	1	-
66	1	2	1	-
72	2	2	1	-
78	2	2	2	-
84	1	3	2	-
90	1	3	1	1
96	2	3	1	1
102	2	3	2	1
108	1	4	2	1
114	2	4	2	1
120	2	4	1	2
126	1	5	1	2
132	1	5	2	2

Note: The basic boom and jib section combination is 36m in total including 12m boom base, 6m boom inserts, 10.5m boom tip and 7.5m jib tip.



OPERATING RANGE DIAGRAM OF HJDB OPERATING CONDITION



HJDB OPERATING CONDITION LOAD CHART

HJDB Operating Condition Load Chart of SCC7500 Crawler Crane

Unit: (t)

Central Counterweight:95t Rear Counterweight:220t Superlift Radius:20m Superlift Counterweight:400t

Working Radius (m)	Boom Length																Working Radius (m)						
	36	42	48	54	60	66	72	78	84	90	96	102	108	114	120	126		132					
7																		7					
8	400	400	400															8					
9	400	400	400	400														9					
10	400	400	400	400	396	383												10					
11	400	400	400	400	395	382	358	324	301									11					
12	400	400	400	400	394	382	358	324	301	253	228							12					
14	400	400	400	400	393	379	356	323	301	252	227	198	172	153				14					
16	400	400	400	398	391	378	355	322	300	251	225	195	171	152	129	118	102	16					
18	400	400	400	397	389	376	354	322	299	250	223	194	170	151	128	118	102	18					
20	400	400	400	395	388	375	353	319	289	246	221	192	168	150	128	117	102	20					
22	395	400	395	385	376	367	349	315	279	237	217	191	167	149	127	116	102	22					
24	357	362	369	361	351	344	331	305	269	228	211	188	166	148	126	115	101	24					
26	323	335	343	339	331	325	315	294	260	221	205	184	165	148	126	115	101	26					
28	289	310	318	319	315	309	301	284	252	214	199	181	164	147	125	114	100	28					
30	259	290	298	299	297	294	287	275	245	208	194	176	160	146	124	113	100	30					
32	231	267	279	280	282	281	275	263	237	201	188	171	155	143	124	113	98	32					
34		242	260	263	263	262	260	251	230	196	184	167	151	140	123	112	96	34					
36		219	238	247	249	248	246	239	222	191	180	162	147	136	120	112	94	36					
38		198	220	228	233	235	232	223	213	185	176	158	143	133	118	110	92	38					
40		177	202	212	217	222	221	210	204	180	171	155	140	129	115	108	90	40					
44				185	189	192	195	189	187	169	163	147	133	124	111	104	86	44					
48					169	170	168	169	170	160	156	140	127	119	106	100	83	48					
52					147	152	152	151	152	149	144	132	121	114	103	97	79	52					
56						136	138	137	135	134	132	124	115	109	98	93	77	56					
60							125	127	123	120	120	116	111	105	94	90	73	60					
64								111	115	114	109	107	107	105	100	90	86	70	64				
68									104	105	101	98	97	97	94	86	83	67	68				
72										93	95	94	91	89	88	86	82	80	65	72			
76											86	86	84	83	81	79	78	77	62	76			
80												78	77	75	73	72	71	59	80	80			
84													71	70	68	67	66	56	84	84			
88														65	65	63	62	61	54	88	88		
92															59	59	58	57	51	92	92		
96																51	54	53	53	49	96	96	
100																	49	49	48	45	100	100	
104																		45	44	41	104	104	
108																			40	40	38	108	108
112																				36	35	112	112
116																						116	116
120																						120	120
Lines	20	20	20	20	20	19	18	16	15	12	12	10	8	7	6	6	5	Lines					

Notes: Rated Load of the Crane

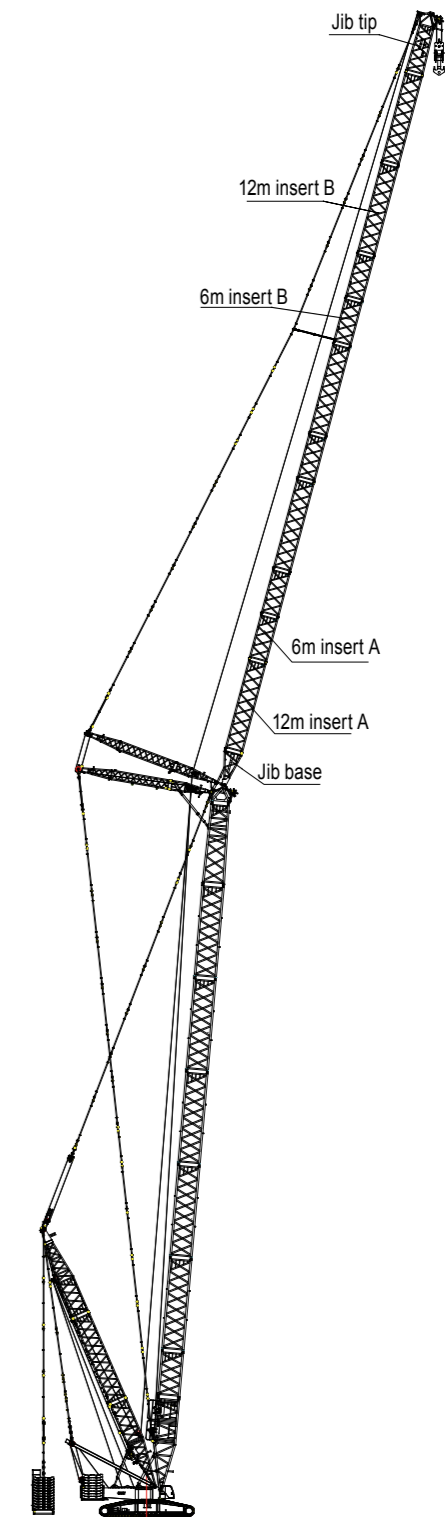
- 1) The actual lifting capacity is the rated load in the table minus the weight of all hoisting tools.
- 2) The rated load in the table is the value under the condition that the non-traveling heavy load is lifted slowly and steadily from the solid and flat ground.

LJDB OPERATING CONDITION LUFFING JIB WITH SUPERLIFT

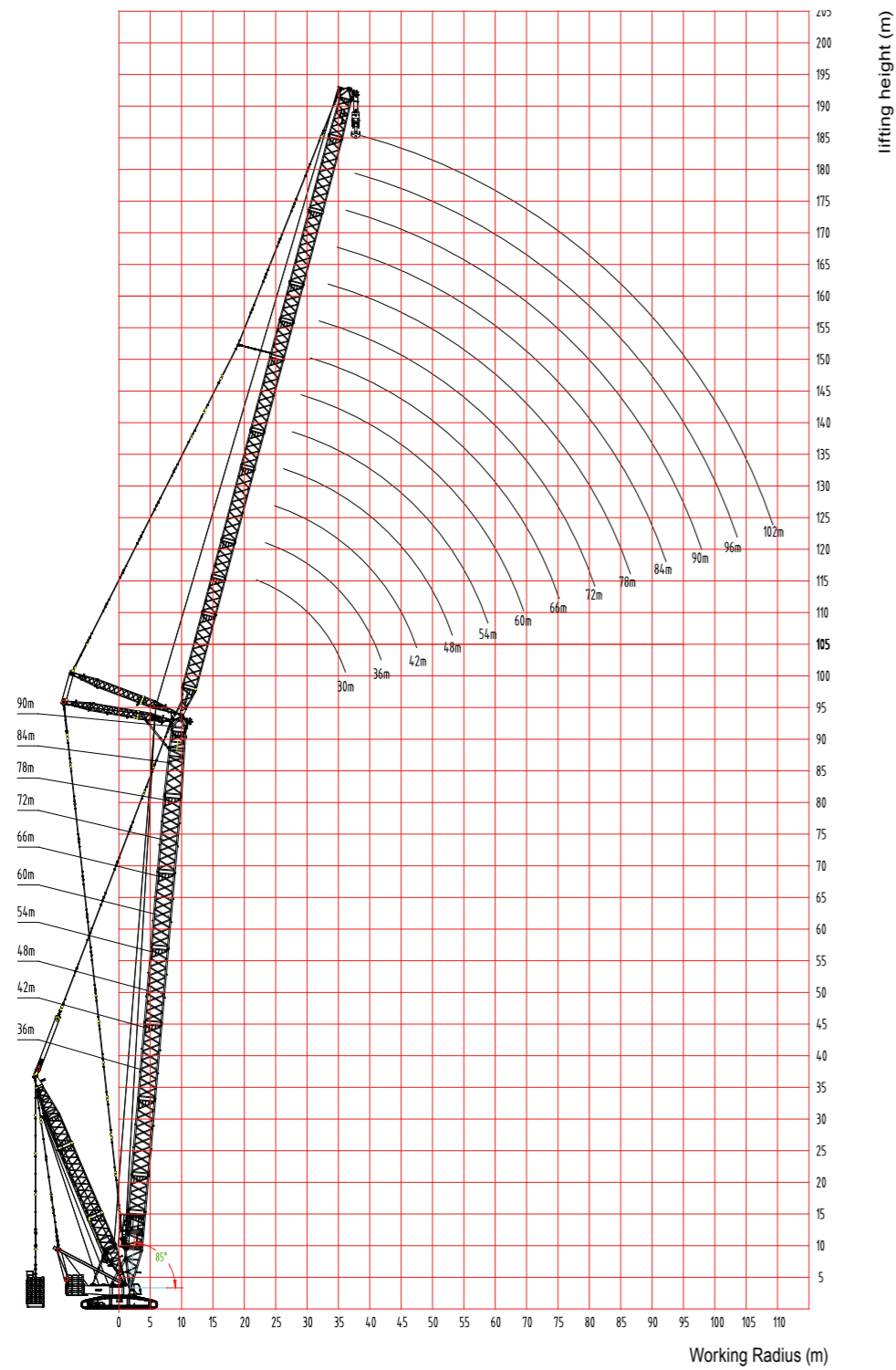
LJDB Operating Condition Combination

Jib Length (m)	Jib Insert				Boom Length and Angle
	6 mA	12mA	6mB	12mB	
30	1	1	-	-	
36	2	1	-	-	
42	1	2	-	-	
48	2	2	-	-	
54	1	3	-	-	
60	2	3	-	-	36~90m
66	3	3	-	-	85°
72	3	3	1	-	75°
78	3	3	2	-	65°
84	3	3	1	1	
90	3	3	2	1	
96	3	3	1	2	
102	3	3	2	2	

Notes: The basic boom and jib section combination is 30m in total including 4.5m jib base, 12m jib insert and 7.5m jib tip.



OPERATING RANGE DIAGRAM OF LJDB OPERATING CONDITION



LOAD CHART OF LJDB OPERATING CONDITION

LJDB Operating Condition Load Chart of SCC7500 Crawler Crane

Unit: (t)

Central Counterweight:95t Rear Counterweight:220t Superlift Counterweight:400t

Working Radius	36m														Working Radius	
	Boom Length	30	36	42	48	54	60	66	72	78	84	90	96	102		
Jib Length																
Boom Angle	85°	85°	85°	85°	85°	85°	85°	85°	85°	85°	85°	85°	85°	85°		
Superlift Radius	20	20	20	20	20	20	20	20	20	20	20	20	20	20		
15	365														15	
16	352	303													16	
18	343	296	255												18	
20	331	288	249	214	184										20	
22	320	281	244	210	181										22	
24	301	272	239	206	178	155	137								24	
26	280	264	233	203	175	153	135	118							26	
28	256	249	227	199	173	151	133	117	101						28	
30	226	224	221	195	170	149	131	116	101	86	75				30	
32	218	215	212	191	168	147	130	115	100	85	75	64			32	
34		196	197	186	164	144	128	114	99	84	74	63	55		34	
36		175	184	181	162	142	126	113	98	84	74	63	54		36	
38		174	172	169	157	140	125	111	97	83	73	62	54		38	
40			157	160	153	139	123	110	97	82	72	61	53		40	
44			142	140	138	131	120	107	94	81	71	60	53		44	
48				127	124	122	117	105	92	79	69	59	52		48	
52					112	110	110	103	90	78	67	58	51		52	
56						101	99	96	88	77	66	57	50		56	
60							88	90	86	76	65	55	49		60	
64								74	80	80	74	63	54	48	64	
68									70	73	72	62	53	47	68	
72										66	68	60	52	46	72	
76										56	60	58	52	45	76	
80											52	55	51	45	80	
84												48	50	44	84	
88													45	42	88	
92														38	40	92
96															40	96
Lines	18	15	12	11	9	8	7	6	5	4	4	3	3		Lines	

LOAD CHART OF LJDB OPERATING CONDITION

LJDB Operating Condition Load Chart of SCC7500 Crawler Crane Unit: (t)

Central Counterweight: 95t Rear Counterweight:220t Superlift Counterweight:400t

Working Radius	Boom Length	42m												Working Radius	
	Jib Length	30	36	42	48	54	60	66	72	78	84	90	96		102
	Boom Angle	85°	85°	85°	85°	85°	85°	85°	85°	85°	85°	85°	85°		85°
Superlift Radius	20	20	20	20	20	20	20	20	20	20	20	20	20	20	
16	329	282												16	
18	319	275	236											18	
20	309	269	231	200										20	
22	299	262	226	196	169									22	
24	290	254	221	193	167	146	129							24	
26	278	248	216	189	164	145	127	111						26	
28	259	241	211	186	162	143	125	109	96					28	
30	232	233	206	182	160	141	124	108	95	81	72			30	
32	222	221	202	179	157	139	122	107	94	80	71	61	53	32	
34		202	198	175	154	137	121	106	93	80	70	60	52	34	
36		182	190	171	151	134	119	105	92	79	70	60	52	36	
38		178	177	167	149	133	118	104	92	78	69	59	51	38	
40			162	162	146	131	116	102	91	78	69	58	51	40	
44				145	138	127	114	100	89	77	68	57	50	44	
48					120	127	123	112	98	87	75	66	56	48	
52						110	113	108	97	85	74	65	55	52	
56							98	100	94	83	73	64	54	56	
60								92	90	82	72	62	53	60	
64									78	82	80	71	61	64	
68										72	75	69	60	68	
72											67	68	59	72	
76												58	62	76	
80													54	80	
84														84	
88														88	
92														92	
96														96	
Lines	16	14	12	11	8	7	6	5	5	4	4	3	3	Lines	

LOAD CHART OF LJDB OPERATING CONDITION

LJDB Operating Condition Load Chart of SCC7500 Crawler Crane Unit: (t)

Central Counterweight: 95t Rear Counterweight:220t Superlift Counterweight:400t

Working Radius	Boom Length	48m												Working Radius					
	Jib Length	30	36	42	48	54	60	66	72	78	84	90	96		102				
	Boom Angle	85°	85°	85°	85°	85°	85°	85°	85°	85°	85°	85°	85°		85°				
Superlift Radius	20	20	20	20	20	20	20	20	20	20	20	20	20	20					
16	303													16					
18	294	254												18					
20	282	248	214											20					
22	273	241	210	183	159									22					
24	265	235	206	179	157	137								24					
26	257	229	201	176	154	136	118							26					
28	246	223	196	174	152	134	117	102	90					28					
30	230	217	192	170	150	133	116	101	89	78				30					
32	226	212	188	167	148	131	115	100	88	77	67			32					
34	212	204	185	163	145	129	114	99	87	76	66	57		34					
36		186	180	160	142	127	113	99	86	75	66	57		36					
38			165	174	158	140	125	111	98	86	75	65	56	49	38				
40				166	154	137	123	109	96	85	74	65	56	48	40				
44					153	143	133	119	106	94	83	73	64	55	48	44			
48						124	125	116	103	92	82	71	63	54	47	48			
52							113	109	100	89	80	70	62	53	46	52			
56								100	97	88	79	69	61	52	45	56			
60									87	89	85	77	68	60	51	60			
64										79	82	75	67	58	50	64			
68											73	73	66	57	49	68			
72												67	64	56	48	72			
76													59	63	56	76			
80														55	54	47	80		
84															51	46	84		
88																43	44	88	
92																	43	39	92
Lines	15	12	11	9	8	7	6	5	4	4	3	3	3	3	Lines				

LOAD CHART OF LJDB OPERATING CONDITION

LJDB Operating Condition Load Chart of SCC7500 Crawler Crane Unit: (t)

Central Counterweight: 95t Rear Counterweight:220t Superlift Counterweight:400t

Working Radius	Boom Length	54m												Working Radius	
	Jib Length	30	36	42	48	54	60	66	72	78	84	90	96		102
	Boom Angle	85°	85°	85°	85°	85°	85°	85°	85°	85°	85°	85°	85°		85°
	Superlift Radius	20	20	20	20	20	20	20	20	20	20	20	20	20	
16		278												16	
18		270	233											18	
20		263	227	197										20	
22		255	222	194	168									22	
24		247	216	190	166	145	128							24	
26		239	211	186	163	143	126	111						26	
28		233	206	182	161	141	125	109	95					28	
30		226	201	178	157	139	123	108	94	83	73			30	
32		211	196	174	154	136	121	107	93	83	72	63		32	
34		208	191	170	151	134	119	105	92	82	71	62	54	34	
36			184	167	147	132	118	104	92	82	70	62	54	46	36
38			164	163	145	130	116	102	91	81	70	61	53	46	38
40			146	145	142	128	114	101	89	80	69	61	53	46	40
44				137	134	124	112	99	87	78	68	60	52	45	44
48					126	119	108	97	85	76	66	59	51	44	48
52						113	104	94	83	75	65	58	50	43	52
56							96	91	81	73	64	57	49	43	56
60								87	86	80	72	63	56	48	60
64									78	78	70	62	55	47	64
68										71	69	61	23	36	68
72											67	66	60	53	72
76												58	59	52	76
80													55	51	80
84														49	84
88															88
92															92
96															96
100															100
Lines		13	12	10	8	7	6	5	5	4	4	3	3	3	Lines

LOAD CHART OF LJDB OPERATING CONDITION

LJDB Operating Condition Load Chart of SCC7500 Crawler Crane Unit: (t)

Central Counterweight: 95t Rear Counterweight:220t Superlift Counterweight:400t

Working Radius	Boom Length	60m												Working Radius	
	Jib Length	30	36	42	48	54	60	66	72	78	84	90	96		102
	Boom Angle	85°	85°	85°	85°	85°	85°	85°	85°	85°	85°	85°	85°		85°
	Superlift Radius	20	20	20	20	20	20	20	20	20	20	20	20	20	
16														16	
18		245												18	
20		239	208	182										20	
22		231	203	179	156									22	
24		223	198	175	154	135								24	
26		217	193	171	151	133	117	103						26	
28		211	189	168	149	131	116	102	90					28	
30		207	185	164	147	130	114	101	89	78				30	
32		198	180	160	141	127	113	100	88	78	67			32	
34		192	175	157	140	125	111	98	87	77	66	59	50	34	
36			172	154	137	123	110	97	86	76	66	58	50	44	36
38			163	151	134	120	108	96	85	75	65	58	50	43	38
40			158	149	132	118	106	94	84	74	65	57	49	43	40
44				139	127	115	103	92	82	73	64	56	48	42	44
48					123	111	100	90	80	71	62	55	48	42	48
52						107	97	87	78	70	61	54	47	41	52
56							98	92	85	76	68	60	53	46	56
60								88	82	75	67	59	53	45	60
64									76	73	65	58	52	44	64
68										70	64	57	33	37	68
72											64	63	56	50	72
76												59	55	49	76
80													54	49	80
84														48	84
88															88
92															92
96															96
100															100
Lines		12	10	9	8	7	6	5	4	4	3	3	3	2	Lines

LOAD CHART OF LJDB OPERATING CONDITION

LJDB Operating Condition Load Chart of SCC7500 Crawler Crane Unit: (t)

Central Counterweight: 95t Rear Counterweight:220t Superlift Counterweight:400t

Working Radius	Boom Length	66m													Working Radius
	Jib Length	30	36	42	48	54	60	66	72	78	84	90	96	102	
	Boom Angle	85°	85°	85°	85°	85°	85°	85°	85°	85°	85°	85°	85°	85°	
	Superlift Radius	20	20	20	20	20	20	20	20	20	20	20	20	20	
16														16	
18	220													18	
20	215	189												20	
22	208	185	164	145										22	
24	201	180	160	142	125									24	
26	195	175	157	140	123	109								26	
28	190	171	153	137	121	107	95	84						28	
30	186	167	149	135	120	106	94	83	72					30	
32	184	162	146	130	117	105	93	82	72	62				32	
34	178	158	143	129	115	103	92	81	71	61	55			34	
36		155	140	126	113	102	91	80	70	61	54	47	41	36	
38		154	137	123	111	100	90	80	70	60	54	47	41	38	
40		150	135	121	109	98	88	78	69	59	54	46	40	40	
44			132	118	105	95	86	77	68	58	53	45	39	44	
48				114	102	92	83	75	66	57	52	45	39	48	
52				106	99	89	81	73	65	56	51	44	38	52	
56					95	87	79	71	63	55	50	43	37	56	
60						85	77	70	62	54	49	42	37	60	
64							74	68	61	53	48	41	36	64	
68								67	59	52	48	40	35	68	
72									62	58	51	47	39	72	
76										57	51	46	39	76	
80											51	45	38	80	
84												48	44	84	
88													44	88	
92														92	
96														96	
100														100	
Lines	11	9	8	7	6	5	5	4	4	3	3	3	2	Lines	

LOAD CHART OF LJDB OPERATING CONDITION

LJDB Operating Condition Load Chart of SCC7500 Crawler Crane Unit: (t)

Central Counterweight: 95t Rear Counterweight:220t Superlift Counterweight:400t

Working Radius	Boom Length	72m													Working Radius
	Jib Length	30	36	42	48	54	60	66	72	78	84	90	96	102	
	Boom Angle	85°	85°	85°	85°	85°	85°	85°	85°	85°	85°	85°	85°	85°	
	Superlift Radius	20	20	20	20	20	20	20	20	20	20	20	20	20	
16														16	
18	194													18	
20	189	174												20	
22	183	170	149											22	
24	177	166	145	130	115									24	
26	171	162	142	128	113	101								26	
28	167	158	138	125	111	99	88							28	
30	164	153	134	122	109	98	87	77	67					30	
32	161	149	131	120	107	96	86	76	66	58				32	
34	157	145	128	116	105	95	85	75	66	57	51			34	
36	152	142	125	114	103	93	84	74	65	57	51	43		36	
38		139	123	111	101	92	83	74	65	56	50	43	37	38	
40		138	121	109	99	90	81	72	64	55	50	42	36	40	
44			117	106	95	87	79	71	63	54	49	42	36	44	
48				102	92	84	76	69	61	53	48	41	35	48	
52				100	90	82	74	67	60	52	47	40	35	52	
56					87	79	72	65	58	51	46	39	34	56	
60						76	70	63	57	50	45	38	33	60	
64							69	62	56	50	44	37	32	64	
68								66	61	54	49	43	36	68	
72									60	53	48	42	35	72	
76										52	47	42	35	76	
80											46	41	35	80	
84												46	40	84	
88													40	88	
92														92	
96														96	
100														100	
Lines	9	8	7	6	6	5	4	4	3	3	3	2	2	Lines	

LOAD CHART OF LJDB OPERATING CONDITION

LJDB Operating Condition Load Chart of SCC7500 Crawler Crane Unit: (t)

Central Counterweight: 95t Rear Counterweight:220t Superlift Counterweight:400t

Working Radius	Boom Length	78m												Working Radius				
	Jib Length	36	42	48	54	60	66	72	78	84	90	96	102					
	Boom Angle	85°	85°	85°	85°	85°	85°	85°	85°	85°	85°	85°	85°					
	Superlift Radius	20	20	20	20	20	20	20	20	20	20	20	20					
18													18					
20		156	137										20					
22		152	134	121									22					
24		148	130	118	106								24					
26		145	128	116	104	92							26					
28		141	124	114	102	91	81						28					
30		137	121	111	100	90	80	71					30					
32		134	118	109	99	89	79	70	61				32					
34		130	115	106	96	87	77	69	61	53	46		34					
36		127	112	104	94	85	76	68	60	53	46	37	36					
38		126	110	101	92	83	75	67	59	52	46	37	31	38				
40		125	108	99	90	82	74	66	59	52	46	37	31	40				
44			104	95	86	79	71	65	58	51	45	36	30	44				
48				92	83	76	69	63	56	50	44	35	29	48				
52					81	73	66	60	54	49	43	35	29	52				
56						79	71	64	58	52	47	42	34	29	56			
60							68	62	56	50	46	41	33	28	60			
64								61	55	49	45	40	32	27	64			
68									60	54	48	44	39	31	26	68		
72										53	47	43	38	30	26	72		
76											46	42	37	30	25	76		
80												43	41	36	30	25	80	
84													41	36	29	24	84	
88														35	29	24	88	
92															28	24	92	
96																27	23	96
100																	21	100
Lines		8	7	6	5	5	4	4	3	3	3	3	2	2			Lines	

LOAD CHART OF LJDB OPERATING CONDITION

LJDB Operating Condition Load Chart of SCC7500 Crawler Crane Unit: (t)

Central Counterweight: 95t Rear Counterweight:220t Superlift Counterweight:400t

Working Radius	Boom Length	84m												Working Radius			
	Jib Length	42	48	54	60	66	72	78	84	90	96	102					
	Boom Angle	85°	85°	85°	85°	85°	85°	85°	85°	85°	85°	85°					
	Superlift Radius	20	20	20	20	20	20	20	20	20	20	20					
20													20				
22		122											22				
24		119	107										24				
26		116	105	94									26				
28		113	103	92	83	74							28				
30		110	101	91	82	73	65						30				
32		107	98	89	80	71	64	57					32				
34		104	95	87	78	70	63	57	49				34				
36		102	93	85	77	69	62	56	48	39	33		36				
38		99	90	83	75	68	61	55	48	39	33	27	38				
40		97	88	81	73	67	60	55	48	38	32	27	40				
44		94	85	77	70	64	58	53	47	38	32	27	44				
48			83	75	67	61	56	51	46	37	31	26	48				
52				80	72	65	59	53	49	44	36	31	26	52			
56					70	63	57	52	47	42	34	29	25	56			
60						62	55	50	45	41	33	28	24	60			
64							54	49	44	40	32	28	24	64			
68								53	48	43	38	31	27	23	68		
72									46	41	37	30	26	22	72		
76										41	36	29	26	22	76		
80											40	35	28	25	21	80	
84												35	28	24	21	84	
88													27	24	20	88	
92														23	19	92	
96															22	19	96
100																18	100
Lines		6	5	5	4	4	3	3	3	3	2	2	2	2		Lines	

LOAD CHART OF LJDB OPERATING CONDITION

LJDB Operating Condition Load Chart of SCC7500 Crawler Crane

Unit: (t)

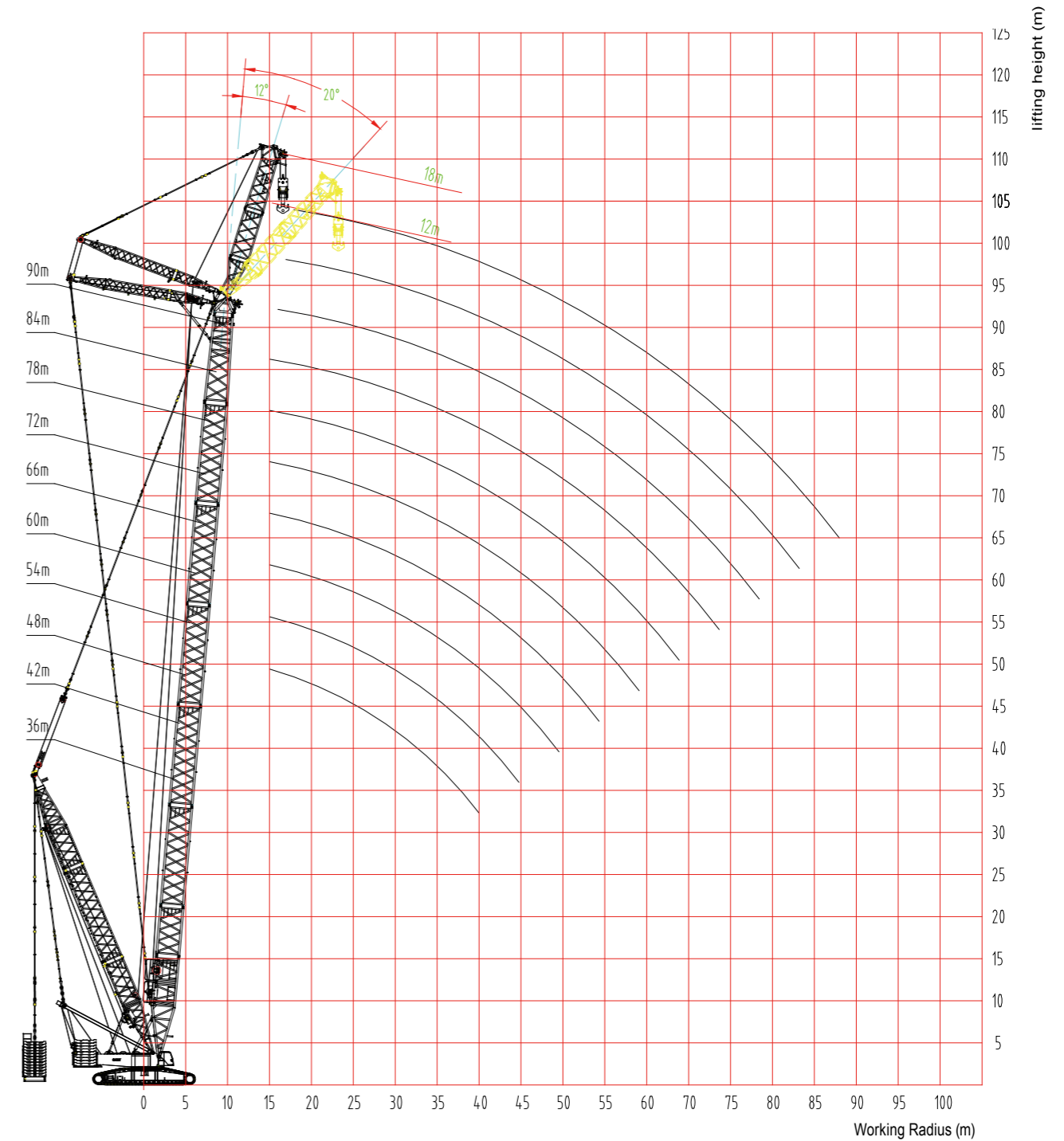
Central Counterweight: 95t Rear Counterweight:220t Superlift Counterweight:400t

Working Radius	Boom Length	90m										Working Radius	
	Jib Length	48	54	60	66	72	78	84	90	96	102		
	Boom Angle	85°	85°	85°	85°	85°	85°	85°	85°	85°	85°		
	Superlift Radius												
22												22	
24	94											24	
26	93	84										26	
28	91	83	74									28	
30	89	81	72	65	58							30	
32	87	79	71	64	57	50						32	
34	84	78	70	63	56	50	40					34	
36	82	76	69	62	55	49	40	35				36	
38	80	74	67	61	54	48	39	34	29	23		38	
40	78	72	65	60	54	48	39	34	28	23		40	
44	75	69	62	57	52	47	38	33	28	22		44	
48	73	66	59	54	50	45	37	33	27	22		48	
52	71	64	57	52	47	43	35	31	26	22		52	
56		61	56	51	46	41	34	30	25	21		56	
60			54	49	44	40	32	29	24	20		60	
64			52	48	43	38	31	28	24	20		64	
68				42	42	37	30	27	23	19		68	
72					41	36	29	26	22	18		72	
76						35	28	25	21	17		76	
80							35	27	24	20		80	
84								27	23	20		84	
88									23	19		88	
92										22		92	
96											17	96	
100												13	100
	Lines	5	4	4	3	3	3	2	2	2	2	Lines	

Notes: Rated Load of the Crane

- 1) The actual lifting capacity is the rated load in the table minus the weight of all hoisting tools.
- 2) The rated load in the table is the value under the condition that the non-traveling heavy load is lifted slowly and steadily from the solid and flat ground.

F_HJDB OPERATING CONDITION



F_HJDB OPERATING CONDITION LOAD CHART

FHJDB Operating Condition Load Chart of SCC7500 Crawler Crane

Central Counterweight:95t Rear Counterweight:245t Superlift Radius:20m Superlift Counterweight:400t

Working Radius (m)	36m		42 m		48m		54m		60m		66m		72m		78m	84m	90m	Working Radius (m)
	12m	18m	12m	18m	12m	18m	12m	18m	12m	18m	12m	18m	12m	18m	18m	18m	18m	
10																		10
11	441		435															11
12	434	374	428		390		343											12
14	404	372	395	345	383	314	342	281	299	249	262		222					14
16	374	363	368	344	361	314	336	281	299	249	262	220	222	194	170			16
18	349	343	344	334	335	313	325	281	299	249	261	220	222	194	170	149	133	18
20	325	320	320	312	313	302	305	281	295	249	261	220	221	193	169	148	131	20
22	300	296	298	290	292	284	285	274	282	249	257	219	220	192	168	147	130	22
24	276	272	275	268	270	262	265	257	262	242	248	219	216	191	167	146	129	24
26	253	248	250	245	248	242	243	236	241	230	235	216	210	191	166	146	128	26
28	230	226	228	223	225	220	223	216	220	212	216	206	202	188	165	144	128	28
30	210	205	208	202	204	198	202	196	201	192	196	190	190	180	164	143	127	30
32	189	186	188	182	184	180	182	178	180	174	178	172	173	166	158	140	125	32
34	170	168	168	165	166	162	164	160	162	156	160	155	156	150	145	135	122	34
36	153	150	150	148	149	145	148	146	146	142	143	138	140	132	130	124	115	36
38	141	135	136	132	134	130	130	128	130	125	127	122	122	117	116	110	106	38
40	130	120	124	118	121	115	117	113	115	110	113	108	108	103	102	99	95	40
44		108	111	105	109	102	105	100	102	96	100	96	95	91	90	87	85	44
48		98	104	95	99	90	95	88	91	85	89	86	84	80	80	78	76	48
52				85	90	81	85	78	80	75	78	77	75	72	73	71	69	52
56						73	76	69	72	67	70	70	68	65	66	65	63	56
60										62	65	60	62	65	62	60	58	60
64														55	56	55	54	64
68															50	52	50	68
72																50	48	72
76																45	44	76
80																	42	80
84																	40	84
88																	35	88
92																		92
96																		96
100																		100
Lines	20	17	20	16	18	14	16	13	14	12	12	10	10	9	8	7	6	Lines

F_HJDB OPERATING CONDITION LOAD CHART

FHJDB Operating Condition Load Chart of SCC7500 Crawler Crane

Central Counterweight:95t Rear Counterweight:245t Superlift Radius:20m Superlift Counterweight:400t

Working Radius (m)	36m		42 m		48m		54m		60m		66m		72m		78m	84m*	90m*	Working Radius (m)
	12m	18m	12m	18m	12m	18m	12m	18m	12m	18m	12m	18m	12m	18m	18m	18m	18m	
12	390																	12
14	370		365		360		331		290									14
16	348	320	342	315	336	298	323	268	290		254		226					16
18	324	299	318	295	312	288	306	268	289	238	254	211	226	187	165			18
20	302	281	296	276	291	271	286	262	278	238	254	211	226	187	165	145	130	20
22	283	262	276	258	271	253	266	246	260	236	249	211	226	186	164	144	128	22
24	261	242	255	240	250	234	245	227	241	222	235	208	222	186	164	143	128	24
26	241	224	236	221	231	216	226	210	221	205	216	199	210	186	164	143	126	26
28	223	206	216	203	212	197	207	192	201	189	197	185	195	179	163	142	125	28
30	204	190	198	187	194	180	189	175	184	172	180	169	178	167	160	140	125	30
32	188	173	182	171	178	164	172	160	167	157	164	154	162	151	150	139	124	32
34	172	158	166	156	162	149	156	146	152	143	150	140	147	139	136	132	122	34
36	158	146	152	142	146	135	143	131	138	128	135	126	132	125	125	120	115	36
38	144	132	138	128	136	122	130	118	124	116	122	112	119	111	111	107	103	38
40	134	118	126	115	123	109	118	106	114	104	110	100	107	98	99	96	92	40
44		108	115	104	111	98	109	95	103	94	99	91	97	88	89	85	82	44
48		101	104	95	103	88	98	85	93	85	90	84	88	83	80	77	76	48
52				87	95	81	90	77	85	77	82	77	80	74	73	70	69	52
56					83	76	86	72	80	72	77	71	75	70	68	65	65	56
60											67	77	68	74	66	72	66	60
64												64	65	70	65	68	64	64
68													62	67	61	65	60	68
72															58	62	56	72
76															54	51	53	76
80																48	51	80
84																	49	84
88																		88
92																		92
96																		96
100																		100
Lines	18	15	17	14	16	14	15	12	13	11	12	10	11	9	8	7	6	Lines

Notes:

- 1) The actual lifting capacity is the rated load in the table minus the weight of all hoisting tools.
- 2) The rated load in the table is the value under the condition that the non-traveling heavy load is lifted slowly and steadily from the solid and flat ground.

Notes

A series of 28 horizontal dashed lines for taking notes.

Notes

A series of 28 horizontal dashed lines for taking notes.



Quality Changes the World

SANY HEAVY INDUSTRY CO., LTD.

Address: SANY Industrial Park, Economic and Technological
Development Zone, Changsha, Hunan, China

Service Hotline: +0086-4006-098-318

E-mail: crd@sany.com.cn

For more information, please visit: www.sanygroup.com

